

# SUBMERSIBLE SEWAGE PUMP

## 80C AND 100C SERIES



### Application

- Industry
- Agriculture
- Mine
- Building Construction
- Environment protection
- Dredging

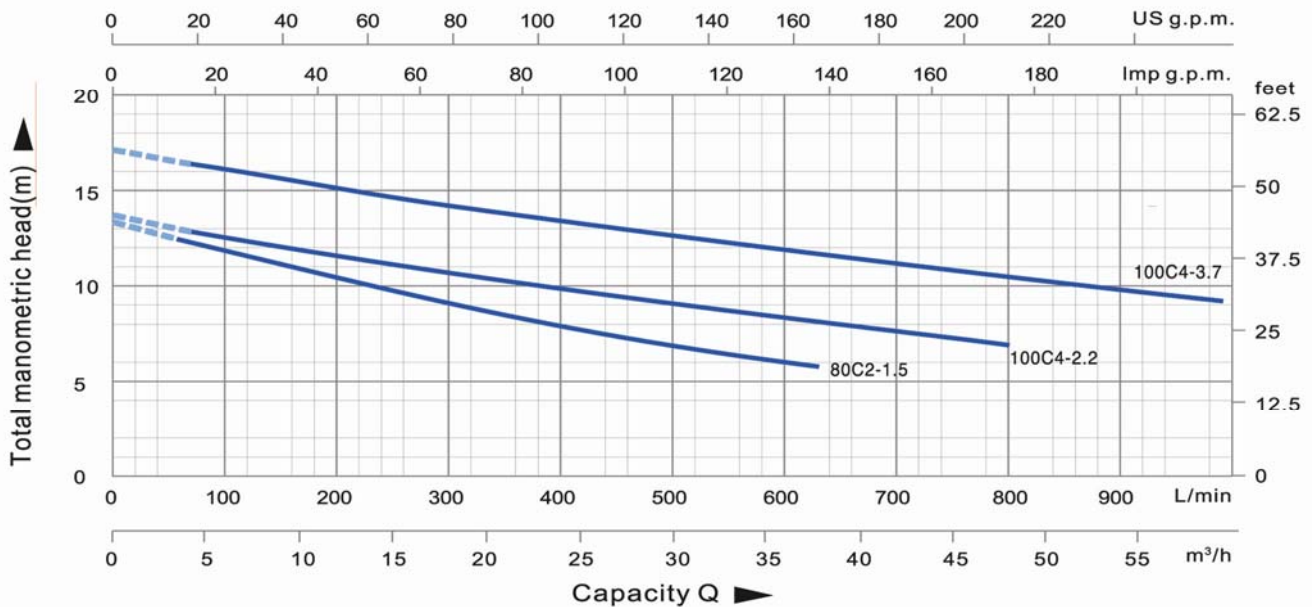
### Operating Conditions

- Fluid temperature up to +40°C
- Maximum operating depth 5m
- Trans medium's PH: 4~10

### Performance Data

Model	Power		RPM	Flow Rate													G.W. (kg)	Qty (set)
	kW	HP		m <sup>3</sup> /h	0	6	12	18	24	30	36	42	48	54	60			
Three Phase			r/min	l/min	0	100	200	300	400	500	600	700	800	900	1000			
80C2-1.5	1.5	2	2900	Head (m)	13	12	11	9	8	7	6	--	--	--	--	75	250	
100C4-2.2	2.2	3	1450		14	12.5	11.5	10	9.5	9	8	7.5	7	--	--	87	210	
100C4-3.7	3.7	5	1450		17	16	15	14	13.5	13	12	11.5	11	10	9	92	200	

### Performance Curve



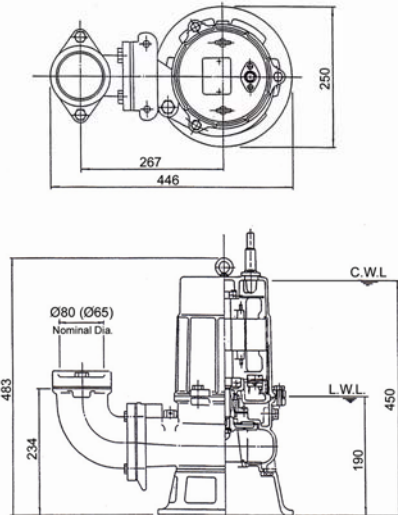
# SUBMERSIBLE SEWAGE PUMP

## 80C AND 100C SERIES



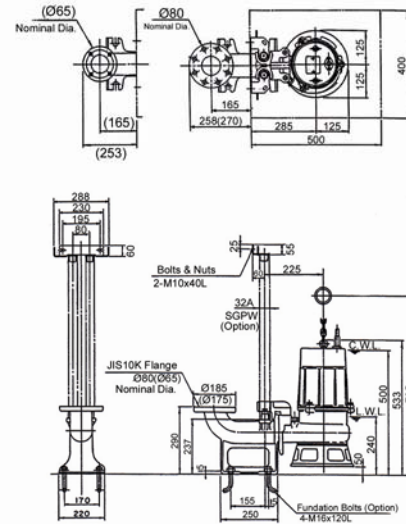
### Dimension Drawing 80C2-1.5

#### Free Standing



C.W.L.: Continuous Running Level  
L.W.L.: Lowest Running Level  
All Dimensions are in millimeters

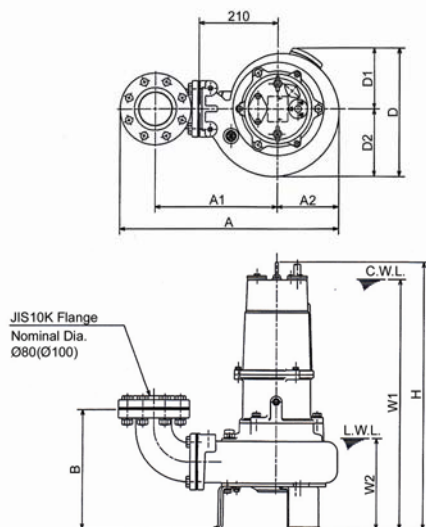
#### Guide Rail Fitting



The figure in ( ) shows the dimensions of discharge Bore at Nominal Ø65.  
C.W.L.: Continuous Running Level  
L.W.L.: Lowest Running Level  
All Dimensions are in millimeters

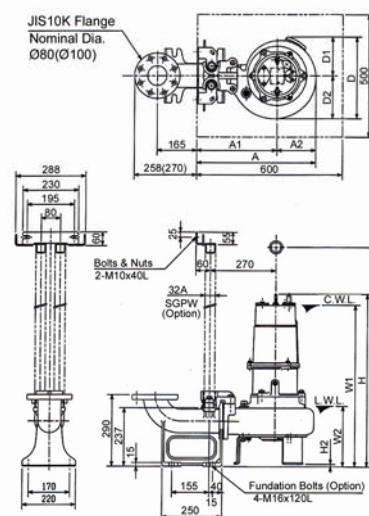
### Dimension Drawing 100C4-2.2 and 100C4-3.7

#### Free Standing



C.W.L.: Continuous Running Level  
L.W.L.: Lowest Running Level  
All Dimensions are in millimeters

#### Guide Rail Fitting



The figure in ( ) shows the dimensions of discharge Bore at Nominal Ø100.  
C.W.L.: Continuous Running Level  
L.W.L.: Lowest Running Level  
All Dimensions are in millimeters

Model	A	A1	A2	B	D	D1	D2	W1	W2	H
100C4-2.2	596	337	154	328	331	164	167	570	225	616
100C4-3.7	602	337	160	333	339	164	175	645	235	690

Model	A	A1	A2	D	D1	D2	W1	W2	H	H1	H2
100C4-2.2	484	330	154	331	164	167	585	240	631	790	15
100C4-3.7	490	330	160	339	164	175	655	245	700	860	10