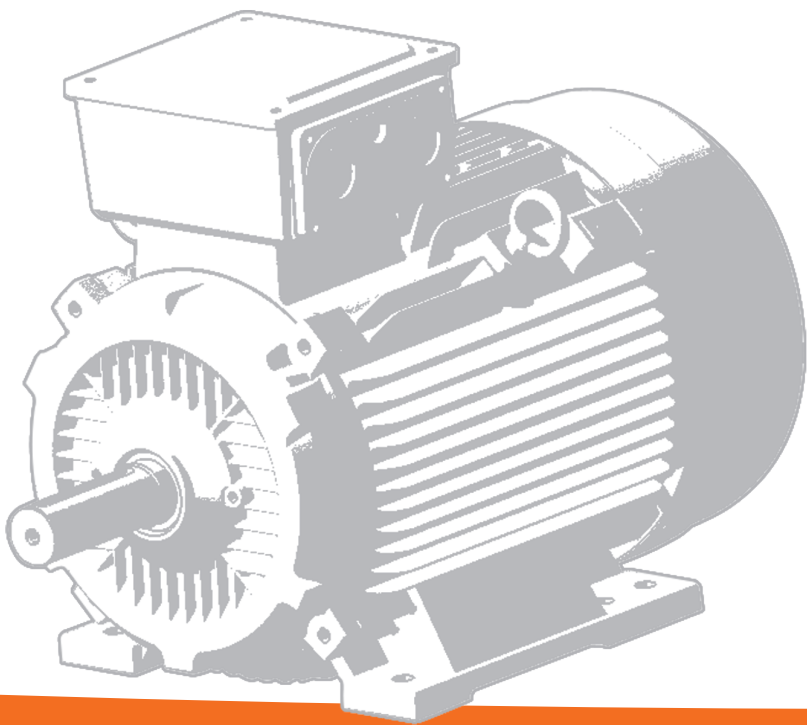


# TECO

*e-motion*



## Standard IE2 Motor Catalogue

AESV2W, AESU2W

## TECO Group

### *Growth-Challenge-Unlimited Exploration*

**TECO**, a famous globalize enterprise group, share the third in global industrial motor of the world; and it has successfully diversified into a highly competitive development conglomerate with worldwide business operations including heavy electrical, home appliance, electronics, IT system, telecommunications equipments, financial investment from the motor giant enterprises. TECO Group currently has nearly hundred oversea affiliates and subsidiaries, and the total global employee amount is over tens of thousands. It has a wide range technology cooperation with many world famous enterprise, such as GE, Japan Yaskawas, the U.S. Westinghouse, Siemens of Germany, Japan, Hitachi, Mitsubishi and so on, its business territory has been extended to Asia, America, Europe, Australia, and became known as a well-known World Group, **TECO** had become an international brand.

### TECO History

- 1956** Company foundation and start of production in the first TECO factory in San-Chung, Taiwan
- 1965** Production capacity increased by opening new factory in Shin-Chuan, Taiwan
- 1966** Start of close technical co-operation with Hitachi, Yaskawa and Taiyo.
- 1979** Further production capacity increase by opening a factory in Chung Li, Taiwan Plant I (Heavy Motor Plant)
- 1987** Opened Chung Li Plant II for serial motor production ( Small Motor Plant)
- 1987** Started Joint venture with Westinghouse Motor Company, USA, one of the leading motor manufacturers in North America
- 1991** Foundation of **TECO** Perai, Penang Provence, Malaysia, to serve the local market with low voltage motors
- 1995** 100% take over of Westinghouse motor business by **TECO**
- 1995** Foundation of **TECO** Westinghouse Motor Company
- 2000** Opened **TECO** factory for low voltage motors in Suzhou, Jiangsu Provence, China
- 2003** Opened **TECO** factory for low and medium voltage motors in Wuxi, China
- 2005** Opened third **TECO** factory in Nanchang, Jiiangxi Provence, China
- 2006** Opened factory in Huyen Long Thanh, Tinh dong Nai Provence, Vietnam to increase local business
- 2008** Opened **TECO** repair and assembling plant in Dammam, Kingdom of Saudi Arabia, on joint venture basis
- 2008** Established **TECO** fuan in Fujian Provence, China, with a decision for construction of a new plant
- 2010** Starting the prodction of aluminum motors and semi finished aluminum parts at **TECO** Fuan factory in Fujian Provence, China.
- 2012** Established India Branch Company.



## Performance Characteristics

### Max. r.p.m

Safe running speed for the squirrel-cage induction motors. Unless otherwise the name plate specifies, all the squirrel-cage, 3 phase, induction motors lower than 1000V and smaller than 315 Frame Size can safely run continuously at the speed in the table below.

#### The safe Max. r.p.m. for the squirrel-cage, 3 phase induction motors of 1000V or lower.

Frame Size	2 Pole	4 Pole	6 Pole
≤ 100	5200	3600	2400
112	5200	3600	2400
132	4500	2700	2400
160	4500	2700	2400
180	4500	2700	2400
200	4500	2300	1800
225	3600	2300	1800
250	3600	2300	1800
280	3600	2300	1800
315	3600	2300	1800

**Note:** When the motors run above the rated speed, for example, using in speed controller, the noise and vibration will increase. In this situation, the motors are required to be corrected to satisfy the acceleration ability above the rated speed. Besides, the bearing lifetime will decrease. Pay attention to the time for adding the oil and grease to insure its lifetime.

### Grease Life ( Horizontal installation)

Frame Size	Pole	Grease lifetime up to CT 40°C
Grease for permanent lubrication bearing		
80~225	2, 4, 6	20000 hours (B3 mounting)
Grease for regreasable bearing		
250~280	2	3000 hours
250~280	4, 6	8000 hours
315~355	2	2000 hours
315~355	4, 6	4000 hours

**Note:**

1. If the coolant temperature is increase by 10K, the grease lifetime and regreasing interval are halved.
2. 2000 hours apply to horizontally installed motors with coupling transmission.

## Mounting Arrangement (IM code)

Foot Mounted		Flange Mounted		Foot / Flange Mounted	
IM 1001 (IM B3) Horizontal Shaft. Foot mounted.		IM 3001 (IM B5) Horizontal Shaft. 'D' type flange at D.E. No feet.		IM 2001 (IM B35) Horizontal Shaft. 'D' type flange at D.E. Foot mounted.	
IM 1051 (IM B6) Horizontal Shaft. Foot wall mounted with feet on left-side when viewed from D.E.		IM 3011 (IM V1) Vertical Shaft. 'D' type flange at D.E. Shaft down. No feet.		IM 2011 (IM V15) Vertical Shaft. 'D' type flange at D.E. Wall mounted. Shaft down.	
IM 1061 (IM B7) Horizontal Shaft. Foot wall mounted with feet on right-side when viewed from D.E.		IM 3031 (IM V3) Vertical Shaft. 'D' type flange at D.E. Shaft up. No feet.		IM 2031 (IM V36) Vertical Shaft. 'D' type flange at D.E. Wall mounted. Shaft up.	
IM 1071 (IM B8) Horizontal Shaft. Ceiling mounted with feet above motor.		IM 3601 (IM B14) Horizontal Shaft. 'C' type flange at D.E. No feet.		IM 2101 (IM B34) Horizontal Shaft. 'C' type flange at D.E. Foot mounted.	
IM 1011 (IM V5) Vertical Shaft. Wall mounted. Shaft down.		IM 3611 (IM V18) Vertical Shaft. 'C' type flange at D.E. Shaft down. No feet.		IM 2111 Vertical Shaft. 'C' type flange at D.E. Wall mounted. Shaft down.	
IM 1031 (IM V6) Vertical Shaft. Wall mounted. Shaft up.		IM 3631 (IM V19) Vertical Shaft. 'C' type flange at D.E. Shaft up. No feet.		IM 2131 Vertical Shaft. 'C' type flange at D.E. Wall mounted. Shaft up.	

It is important to nominate the "IM" code at enquiry and order stage to ensure that drain holes are in the correct position and bearing arrangement is checked for suitability if the "IM" code differs from standard.

### Standard Mounting Arrangement

TECO Stock Motors - Standard Mounting Arrangement and Terminal Box Position				
Mounting	IM Code	(IM Code)	Terminal box position (viewed from drive end)	Cable entry direction
Foot	IM1001	IMB3	Right	From below
Flange	IM3011	IMV1	As needed (motor can be rotated)	From flange end
Foot & Flange	IM2001	IMB35	Right	From below

## BASIC SPECIFICATION

RATING	Kind of Motors	Squirrel-Cage Induction Motors ( SCIM)				
	Design Standard	IEC				
	Voltages	380V, 400V, 415V or others				
	Frequency	50Hz				
	Output Range	0.55kW~315kW				
	R.P.M ( SYN.)	3000~1000 R.P.M. (2~6 Poles )				
	Time Duty	Continuous S1, S.F. 1.0				
	Frame No.	80M~355L				
	Protection Enclosure	Totally Enclosed ( IP55)				
	Cooling Method	Self External Fan, Surface Cooling (IC411)				
	Mounting	Horizontal Foot Mounted B3 (IM1001) Horizontal Flange Mounted B5 (IM3001) Horizontal Foot and Flange Mounted B35 (IM2001) Vertical Flange Mounted, Shaft down V1 (IM3011)				
APPLICATION	Environment Condition	Place: Shadow, Non-Hazardous, Ambient Temperature: -15~40°C Relative Humidity: Less Than 90%RH (Non-Condensation) Altitude: Less Than 1,000 Meters				
	Power Source Conditions	Direct Coupling Belt Service, However, 2 Pole 22kW and Up Coupling Service is the Way.				
	Method of Starting	Bi-Directional				
	Drive Method	Full Voltage Direct On Line or Y- Starting				
	Direction of Rotation	Voltage: $\pm 10\%$ , Frequency: $\pm 5\%$ , and 10% Max. of Combined Voltage and Frequency. But Frequency Variation Does Not Exceed $\pm 5\%$				
CONSTRUCTION	Bearing	Bracket Mounting, Vacuum De-Gassed High Quality Open Bearings for Frame Nos. 180M~355L, Grease Pre-Packed Shielded Rolling Bearings for the Others				
	Lead Terminal	Cast Iron, Can be Rotated Each 90°C With Conduit Hole for Cable Entrance. The Terminal Box is Usually Placed on The Top of The Frame and The Cables Could be Let Out from Four Possible Directions.				
	Terminal Box	Solderless Lug Terminals				
	Stator Insulation	Class F Insulation System				
	Painting	Phenolic Rust Poof Base Plus Lacquer Surface Finished Painting in Pebble Gray Color. (Munsell 5Y 7.5/1; RAL 7032)				
	Bolt Thread	ISO Metric System				
PERFORMANCE	Test Procedure	IEC 60034-2-1 and Full Voltage Measuring Starting Performance				
	Winding Temperature Rise	Not to Exceed 80°C Rise by Resistance Method at S.F.1.0 Operation				
	Over Speed	120% Syn. R.P.M for 2 Min.				
	Over Torque	160% Rated Torque for 15 Sec.				
	Vibration (r.m.s.)	Vibration Grade	Shaft height/mm	$80 \leq H \leq 132$	$132 < H \leq 280$	$H > 280$
			Mounting	Velocity mm/s	Velocity mm/s	Velocity mm/s
	A	Free suspension	1.6	2.2	2.8	

## ELECTRICAL CHARACTERISTICS - AESV2W, AESU2W

TEFC, Class F, 40°C Ambient Temperature, IEC; Design N Continuous Duty, S. F. 1.0

380V/50Hz

OUTPUT		FULL LOAD rpm	FRAME NO.	EFFICIENCY			POWER FACTOR			CURRENT		TORQUE				ROTOR GD <sup>2</sup> kg-m <sup>2</sup>	NOISE SOUND POWER NO-LOAD dB(A)	APP. WEIGHT kg
kw	hp			FULL LOAD (%)	3/4 LOAD (%)	1/2 LOAD (%)	FULL LOAD (%)	3/4 LOAD (%)	1/2 LOAD (%)	FULL LOAD (A)	LOCKED ROTOR %FLT	FULL LOAD kg-m	LOCKED ROTOR %FLT	PULL UP %FLT	BREAK DOWN %FLT			
0.55	0.75	1430	80M	78.1	78.0	75.3	74.0	64.0	49.5	1.45	640	0.381	260	230	290	0.010	78	17
		930	80M	74.0	72.8	68.4	65.5	56.0	43.0	1.72	470	0.585	255	245	255	0.013	73	19.5
0.75	1	2865	80M	77.4	75.8	72.6	84.5	77.5	66.0	1.74	630	0.253	225	200	280	0.005	84	16.5
		1430	80M	79.6	79.5	76.3	74.5	65.0	51.0	1.92	705	0.508	330	290	340	0.011	78	18.5
		935	90S	75.9	75.8	73.5	73.0	63.5	50.5	2.06	480	0.776	170	170	220	0.018	73	24.5
1.1	1.5	2880	80M	79.6	80.3	79.1	85.5	78.5	66.5	2.46	775	0.378	255	200	305	0.007	84	19.5
		1440	90S	81.4	81.6	79.3	77.5	69.0	55.0	2.65	740	0.756	275	220	310	0.017	78	24.5
		935	90L	78.1	77.6	74.9	72.0	62.5	49.0	2.97	550	1.164	205	195	245	0.025	73	28.5
1.5	2	2845	90S	81.3	81.5	80.5	90.0	86.0	75.5	3.11	650	0.510	220	170	250	0.010	88	23
		1430	90L	82.8	83.8	82.7	82.5	75.5	62.5	3.34	740	1.015	265	190	280	0.022	82	27.5
		955	100L	79.8	79.1	77.3	71.5	63.5	50.0	3.99	550	1.520	165	130	230	0.044	74	36.4
2.2	3	2840	90L	83.2	84.0	83.0	89.5	85.0	75.5	4.49	750	0.767	265	230	300	0.013	88	27
		1455	100L	84.3	84.6	82.9	79.0	71.0	58.0	5.02	790	1.497	215	175	290	0.041	82	36.5
		945	112M	81.8	80.8	79.6	75.5	67.5	54.0	5.41	570	2.304	205	175	245	0.071	74	47
3	4	2890	100L	84.6	84.4	83.6	89.0	85.0	76.0	6.05	820	1.005	215	195	280	0.022	93	37.6
		1445	100L	85.5	85.4	84.3	80.5	73.0	60.0	6.62	795	2.009	210	155	275	0.050	86	40
		965	132S	83.3	81.8	79.2	72.5	63.5	50.0	7.55	585	3.009	195	185	270	0.097	82	57.5
4	5.5	2880	112M	85.8	86.5	85.5	91.0	88.0	81.0	7.78	890	1.384	235	230	335	0.042	93	47.5
		1455	112M	86.6	87.0	86.1	81.0	74.5	62.5	8.66	830	2.744	260	220	290	0.083	86	52
		960	132M	84.6	84.8	84.3	77.5	69.5	56.5	9.27	645	4.159	190	175	275	0.131	82	69
5.5	7.5	2925	132S	87.0	87.0	85.7	85.5	81.5	73.0	11.2	690	1.861	190	145	250	0.057	93	61.5
		1460	132S	87.7	87.8	86.3	81.5	75.0	63.0	11.7	775	3.729	255	190	320	0.113	86	67.5
		965	132M	86.0	85.3	82.9	72.0	63.5	50.0	13.5	690	5.641	210	160	280	0.171	82	77.5
7.5	10	2905	132S	88.1	88.6	87.6	84.5	80.5	71.5	15.3	660	2.499	190	165	250	0.066	97	67
		1465	132M	88.7	89.0	88.8	85.5	80.5	70.0	15.0	760	4.955	230	165	280	0.133	90	78
		960	160M	87.2	88.0	87.0	81.5	76.5	66.0	16.0	600	7.561	210	185	225	0.363	82	110
11	15	2940	160M	89.4	89.4	88.6	91.5	89.0	83.0	20.4	830	3.703	220	155	270	0.154	97	105
		1465	160M	89.8	90.1	89.5	88.5	85.0	77.5	21.0	730	7.432	205	155	255	0.297	90	110
		965	160L	88.7	89.2	88.6	81.5	76.0	65.0	23.1	685	11.280	245	230	270	0.558	85	140
15	20	2925	160M	90.3	90.3	90.2	93.0	91.5	88.0	27.1	765	4.963	230	155	240	0.192	100	120
		1470	160L	90.6	91.3	90.5	86.5	82.5	73.5	29.1	785	9.876	235	185	280	0.396	94	130
		975	180L	89.7	89.7	88.4	80.0	74.0	62.5	31.8	760	14.890	265	185	315	1.342	88	200
18.5	25	2945	160L	90.9	91.7	90.5	92.5	90.5	86.0	33.4	880	6.162	265	175	280	0.237	100	135
		1470	180M	91.2	92.0	91.0	85.0	82.5	75.5	36.3	630	12.340	180	175	275	0.654	94	180
		975	200L	90.4	91.1	90.2	82.5	79.0	70.5	37.7	610	18.610	200	185	220	1.604	88	250
22	30	2945	180M	91.3	91.5	91.0	90.0	88.0	82.5	40.7	800	7.394	220	175	280	0.283	100	175
		1475	180L	91.6	91.8	91.5	84.0	80.5	72.5	43.4	710	14.760	195	150	230	0.712	94	190
		975	200L	90.9	91.1	90.9	82.0	78.5	69.5	44.8	680	22.330	225	180	220	1.912	88	270
30	40	2955	200L	92.0	92.0	90.8	90.0	89.0	85.0	55.0	775	9.825	185	140	275	0.521	102	240
		1475	200L	92.3	92.3	91.7	87.5	84.5	77.5	56.4	790	19.680	205	185	245	1.220	98	255
		975	225M	91.7	92.0	91.5	86.0	83.5	76.0	57.8	615	29.780	175	155	210	2.442	91	325



## ELECTRICAL CHARACTERISTICS - AESV2W, AESU2W

TEFC, Class F, 40°C Ambient Temperature, IEC; Design N Continuous Duty, S. F. 1.0

380V/50Hz

OUTPUT		FULL LOAD rpm	FRAME NO.	EFFICIENCY			POWER FACTOR			CURRENT		TORQUE				ROTOR GD <sup>2</sup> kg-m <sup>2</sup>	NOISE SOUND POWER NO-LOAD dB(A)	APP. WEIGHT kg
kW	hp			FULL LOAD (%)	3/4 LOAD (%)	1/2 LOAD (%)	FULL LOAD (%)	3/4 LOAD (%)	1/2 LOAD (%)	FULL LOAD (A)	LOCKED ROTOR %FLT	FULL LOAD kg-m	LOCKED ROTOR %FLT	PULL UP %FLT	BREAK DOWN %FLT			
37	50	2950	200L	92.5	92.0	91.3	90.5	89.5	85.5	67.2	845	12.30	205	140	240	0.663	102	270
		1480	225S	92.7	92.8	92.1	87.0	84.0	77.0	69.7	710	24.52	190	160	245	1.649	98	320
		980	250M	92.2	92.4	91.9	85.0	81.0	72.5	71.7	640	37.03	180	180	220	3.373	91	410
45	60	2965	225M	92.9	92.3	90.9	90.5	87.5	81.0	81.3	875	14.69	160	155	320	1.074	104	320
		1475	225M	93.1	93.3	92.9	86.5	83.5	76.5	84.9	690	29.53	190	160	270	1.731	100	330
		985	280S	92.7	92.6	92.0	84.0	81.0	73.5	87.8	650	44.52	140	115	230	6.400	94	580
55	75	2970	250M	93.2	93.4	93.1	91.0	90.0	85.5	98.5	735	18.33	135	115	295	1.211	104	405
		1485	250M	93.5	93.6	93.1	87.0	85.0	79.0	103.0	780	36.66	265	230	250	3.621	100	450
		985	280M	93.1	93.0	92.5	83.5	81.5	74.0	107.0	650	55.27	145	120	230	7.600	94	660
75	100	2965	280S	93.8	93.8	93.2	90.5	89.5	85.5	134.0	700	24.65	160	135	260	2.000	106	565
		1480	280S	94.0	94.0	93.5	87.5	86.0	78.5	139.0	690	49.25	170	145	260	5.200	103	620
		985	315S	93.7	93.6	93.1	83.5	81.0	73.0	146.0	650	74.20	150	125	220	12.400	98	870
90	125	2965	280M	94.1	94.0	93.5	90.5	89.5	86.0	161.0	700	30.60	165	140	260	2.400	106	615
		1480	280M	94.2	94.2	93.6	87.5	86.0	78.0	166.0	690	59.26	180	155	260	6.000	103	690
		985	315M	94.0	94.0	93.4	84.0	81.5	74.0	173.0	650	89.04	155	130	220	14.000	98	932
110	150	2965	315S	94.3	94.3	93.7	89.5	88.5	85.0	198.0	700	36.72	150	125	250	4.400	106	850
		1480	315S	94.5	94.5	93.8	88.5	87.0	82.0	200.0	690	72.43	160	135	240	8.800	103	960
		985	315L	94.3	94.2	93.6	85.0	82.0	74.5	209.0	650	108.80	150	125	220	18.800	98	1120
132	175	2965	315M	94.6	94.6	93.8	90.0	89.0	86.0	236.0	690	42.84	145	120	240	4.800	109	922
		1480	315M	94.7	94.7	94.0	88.5	87.5	82.5	239.0	675	86.80	160	135	240	10.000	106	1000
		985	315L	94.6	94.5	93.8	85.0	83.0	75.5	249.0	650	130.60	150	125	220	20.400	102	1250
160	215	2970	315L	94.8	94.8	94.0	89.0	88.0	84.5	288.0	690	52.55	150	125	240	5.200	109	980
		1485	315L	94.9	94.9	94.1	88.5	87.0	82.5	289.0	670	105.20	140	115	230	11.600	106	1090
		985	315L	94.8	94.8	94.0	84.5	82.0	74.0	304.0	650	158.30	145	120	230	23.200	102	1280
		985	355M	94.8	94.8	94.0	84.5	82.0	74.0	303.0	650	158.30	145	120	230	31.600	102	1700
200	270	2970	315L	95.0	95.0	94.1	90.5	90.0	88.0	353.0	690	65.99	150	125	240	6.400	109	1150
		1485	315L	95.1	95.0	94.2	88.5	87.0	83.0	361.0	670	131.50	150	125	230	14.400	106	1280
		985	315D	95.0	94.9	94.1	85.0	83.0	76.0	376.0	650	197.90	155	130	230	38.800	102	1665
		985	355M	95.0	94.9	94.1	85.0	83.0	76.0	376.0	650	197.90	155	130	230	40.800	102	1900
250	335	2975	315D	95.0	95.0	94.2	91.0	90.5	88.5	439.0	690	81.74	140	115	240	10.000	111	1600
		2975	355M	95.0	95.0	94.2	91.0	90.5	88.5	439.0	690	81.74	140	115	240	10.800	111	1700
		1485	315D	95.1	95.1	94.3	89.0	88.0	84.0	449.0	680	164.00	140	115	230	25.200	108	1650
		1485	355M	95.1	95.1	94.3	89.0	88.0	84.0	449.0	680	164.00	140	115	230	27.200	108	1750
		985	315D	95.0	95.0	94.2	85.0	83.5	77.0	470.0	650	247.30	150	125	230	46.400	105	1840
		985	355L	95.0	95.0	94.2	85.0	83.5	77.0	470.0	650	247.30	150	125	230	46.000	105	2080
315	420	2975	315D	95.0	95.0	94.2	91.5	91.0	89.0	551.0	700	103.20	140	115	240	12.000	111	1760
		2975	355L	95.0	95.0	94.2	91.5	91.0	89.0	551.0	700	103.20	140	115	240	14.000	111	1870
		1485	315D	95.1	95.1	94.3	89.0	88.0	84.5	566.0	675	206.70	140	115	230	31.200	108	1860
		1485	355L	95.1	95.1	94.3	89.0	88.0	84.5	565.0	675	206.70	140	115	230	34.400	108	1960

**NOTE:**\* The above are typical values based on test according to IEC60034-2-1:2007

\* Tolerance according to IEC60034-1

\* Breakdown & Locked rotor torques are show as average expected voltages

\* Efficiency, power factor, speed and torque are the same for other voltages.

Current values vary inversely with voltage.

\* F#315D only suitable for IM B3

\* Noise: sound power level at no-load, dB(A)/1M, tolerance +3 dB(A)

\* Data subject to change without notice

## DIMENSION

### Horizontal Foot Mounting B3 (IM 1001) TYPE: AESV2W

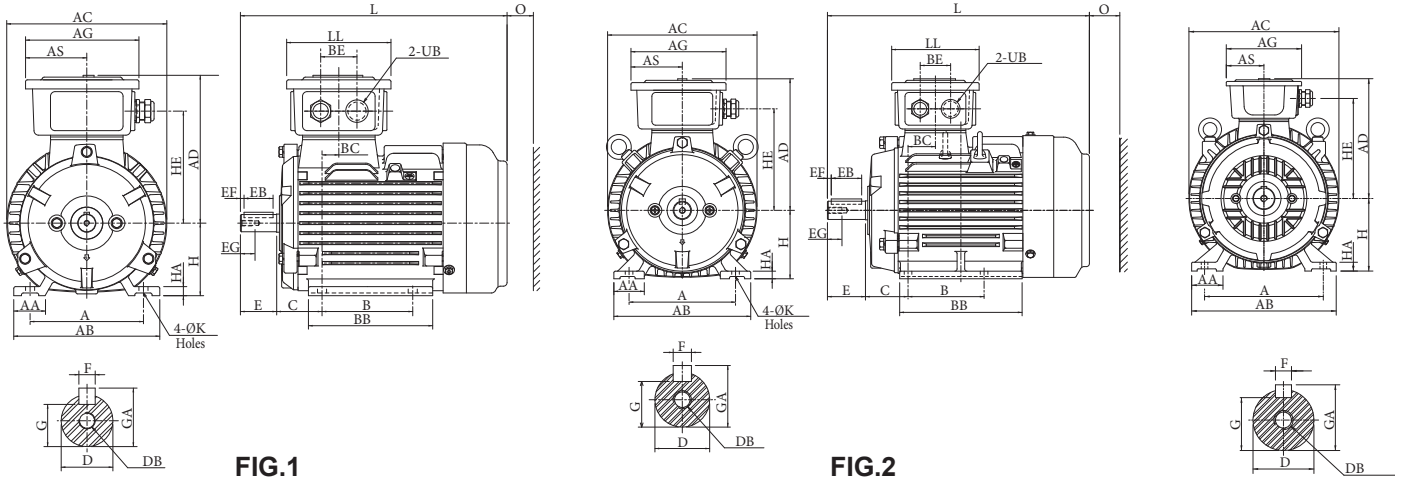


FIG.1

FIG.2

Output (kW)			FRAME SIZE	FIG. NO.	A	AA	AB	AC	AD	AG	AS	B	B'	BA	BA'	BB	BC	BE	C	H
2P	4P	6P																		
0.75 1.1	0.55 0.75	0.37 0.55	80M	1	125	34.5	161	177	163	125	67.5	100	--	--	--	137	18.5	40	50	80
1.5	1.1	0.75	90S	2	140	40	180	197	173	125	67.5	100	--	--	--	161	36	40	56	90
2.2	1.5	1.1	90L		140	40	180	197	173	125	67.5	125	--	--	--	186	36	40	56	90
3 --	2.2 3	1.5 --	100L	2	160	40	200	219	193	147	78.5	140	--	--	--	181	21	50	63	100
4	4	2.2	112M		190	45	235	235	200.5	147	78.5	140	--	--	--	186	28	50	70	112
5.5 7.5	5.5 --	3 --	132S	3	216	57	263	273	218	147	78.5	140	--	--	--	184	6	50	89	132
-- --	7.5 --	4 5.5	132M		216	57	263	273	218	147	78.5	178	--	--	--	222	6	50	89	132
11 15	11 --	7.5 --	160M	4	254	60	300	317	273	193	91.5	210	--	57.5	57.5	256	47	89	108	160
18.5	15	11	160L		254	60	300	317	273	193	91.5	254	--	57.5	101.5	300	47	89	108	160
22	18.5	--	180M		279	65	330	354	299	193	91.5	241	--	62	62	292	39	89	121	180
--	22	15	180L		279	65	330	354	299	193	91.5	279	241	62	100	330	39	89	121	180
30 37	30	18.5 22	200L		318	70	378	398	332	231	110.5	305	--	76	76	365	60	106	133	200
--	37	--	225SC		356	75	431	449	358	231	110.5	286	--	90	90	350	37.5	106	149	225
45	--	--	225MA		356	75	431	449	358	231	110.5	311	286	90	115	375	37.5	106	149	225
--	45	30	225MC	356	75	431	449	358	231	110.5	311	286	90	115	375	37.5	106	149	225	
55	--	--	250MA	5	406	85	480	499	400	255	122.5	349	--	105	105	425	57.5	119	168	250
--	55	37	250MC		406	85	480	499	400	255	122.5	349	--	105	105	425	57.5	119	168	250

- Note: 1. Tolerance of shaft end diameter D: Among § 19~ § 28:j6  
 2. Tolerance of shaft end diameter D: § 38:k6  
 3. Tolerance of shaft end diameter D: Among § 42~ § 48:k6  
 4. Tolerance of shaft end diameter D: Among § 55~ § 65:m6  
 5. Tolerance of shaft center high H:+0, -0.5.  
 6. Bearing No. in ( ) is for 2P.



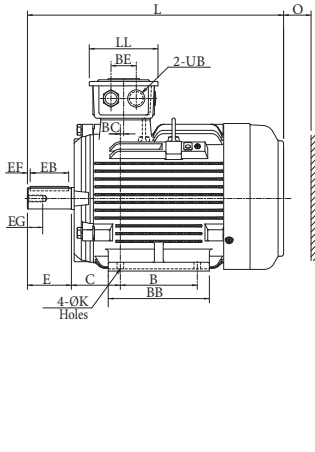


FIG.3

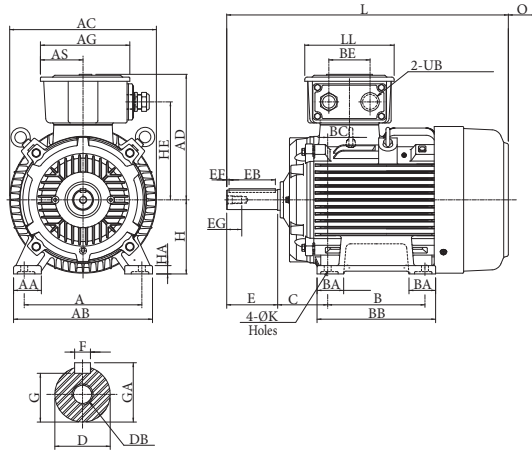


FIG.4

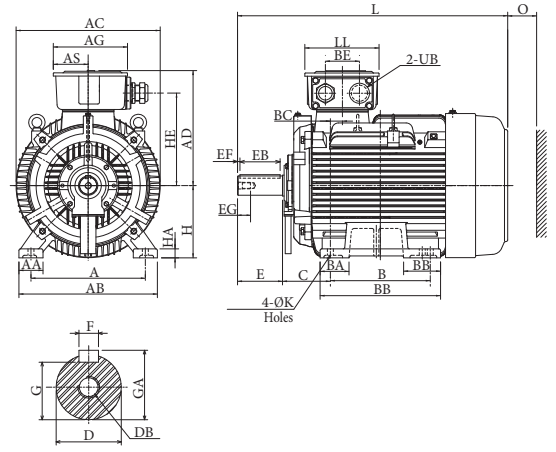


FIG.5

Dimension in mm

HA	HE	K	L	LL	O	UB	SHAFT EXTENSION									BEARING	
							D	E	EB	EF	EG	F	G	GA	DB	DRIVE END	OPPOSITE DRIVE END
10	123.5	10	293.0	115	40	M20x1.5	19	40	32	4	16	6	15.5	21.5	M6	6204ZZ	6204ZZ
10	133.5	10	344.5	115	40	M20x1.5	24	50	40	5	19	8	20	27	M8	6205ZZ	6205ZZ
10	133.5	10	369.5	115	40	M20x1.5	24	50	40	5	19	8	20	27	M8	6205ZZ	6205ZZ
12	157	12	392.0	125	50	M25x1.5	28	60	50	5	22	8	24	31	M10	6206ZZ	6206ZZ
13	164.5	12	412.5	125	50	M25x1.5	28	60	50	5	22	8	24	31	M10	6306ZZ	6306ZZ
16	182	12	466	125	50	M25x1.5	38	80	70	5	28	10	33	41	M12	6308ZZ	6306ZZ
16	182	12	504	125	50	M25x1.5	38	80	70	5	28	10	33	41	M12	6308ZZ	6306ZZ
18	215	14.5	608	193	60	M32x1.5	42	110	100	5	36	12	37	45	M16	6309ZZ	6307ZZ
18	215	14.5	652	193	60	M32x1.5	42	110	100	5	36	12	37	45	M16	6309ZZ	6307ZZ
20	241	14.5	672	193	70	M32x1.5	48	110	100	5	36	14	42.5	51.5	M16	(6311C3)	(6310C3)
20	241	14.5	710	193	70	M32x1.5	48	110	100	5	36	14	42.5	51.5	M16	6311	6310
24	262	18.5	770	231	80	M50x1.5	55	110	100	5	42	16	49	59	M20	(6312C3) 6312	(6212C3) 6212
28	288	18.5	816	231	90	M50x1.5	60	140	125	7.5	42	18	53	64	M20	(6312C3) 6313	(6212C3) 6313
28	288	18.5	811	231	90	M50x1.5	55	110	100	5	42	16	49	59	M20		
28	288	18.5	841	231	90	M50x1.5	60	140	125	7.5	42	18	53	64	M20		
30	322	24	921	255	105	M63x1.5	60	140	125	7.5	42	18	53	64	M20	(6313C3) 6315	(6313C3) 6313
30	322	24	921	255	105	M63x1.5	65	140	125	7.5	42	18	58	69	M20		

## DIMENSION

### Horizontal Foot Mounting B3 (IM1001) TYPE: AESV2W

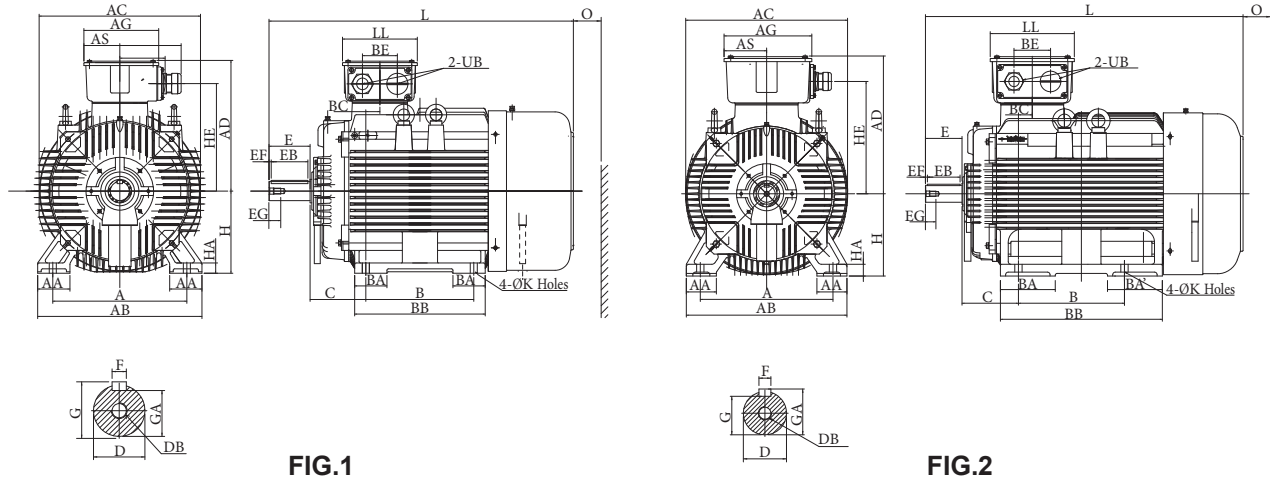
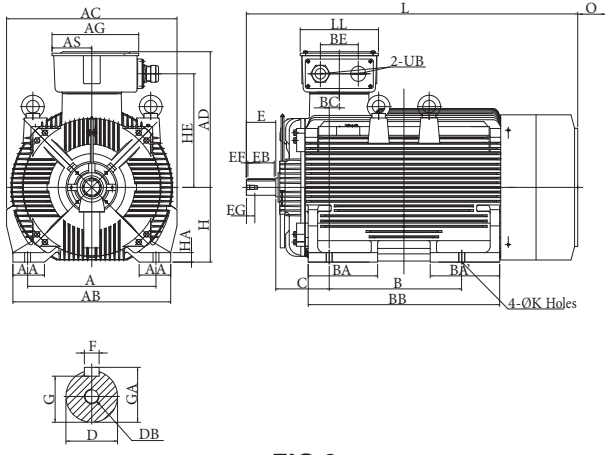


FIG.1

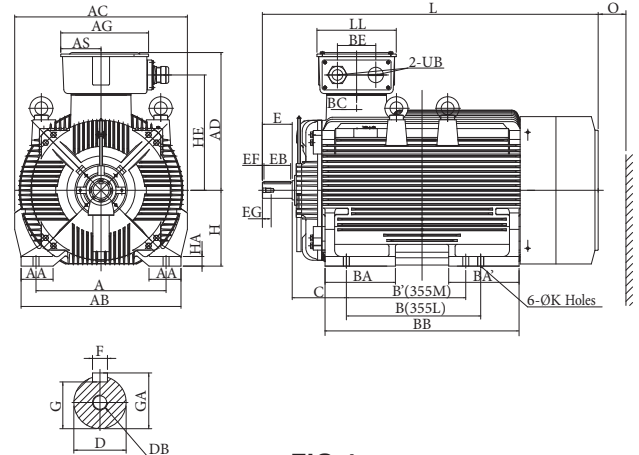
FIG.2

Output (kW)			FRAME	FIG.	A	AA	AB	AC	AD	AG	AS	B	B'	BA	BA'	BB	BC	BE	C	H
2P	4P	6P	SIZE	NO.																
75	--	--	280SA	1	457	110	560	550	446	255	122.5	368	--	110	110	445	48	119	190	280
--	75	45	280SB		457	110	560	550	446	255	122.5	368	--	110	110	445	48	119	190	280
90	--	--	280MA		457	110	560	550	446	255	122.5	419	--	130	137	495	48	119	190	280
--	90	55	280MB		457	110	560	550	446	255	122.5	419	--	130	137	495	48	119	190	280
110	--	--	315SA	2	508	115	615	620	527.5	336	163	406	--	210	210	620	53	140	216	315
--	110	75	315SB		508	115	615	620	527.5	336	163	406	--	210	210	620	53	140	216	315
132 (160)	--	--	315MA		508	115	615	620	527.5	336	163	457	--	240	240	670	53	140	216	315
--	132 (160)	90 (110)	315MB		508	115	615	620	527.5	336	163	457	--	240	240	670	53	140	216	315
160 200	--	--	315LA		508	130	630	620	527.5	336	163	508	--	230	230	770	53	140	216	315
--	160 200	110 132 (160)	315LB		508	130	630	620	527.5	336	163	508	--	230	230	770	53	140	216	315
250 315	--	--	315DA	3	508	150	650	682	590	412	189	900	--	180	250	1060	68	180	216	315
--	250 315	200 250	315DB		508	150	650	682	590	412	189	900	--	180	250	1060	68	180	216	315
250	--	--	355MA	4	610	150	750	810	645	412	189	--	560	330	330	910	48	180	254	355
--	250	200	355MB		610	150	750	810	645	412	189	--	560	330	330	910	48	180	254	355
315	--	--	355LA		610	150	750	810	645	412	189	630	--	330	330	910	48	180	254	355
--	315	250	355LB		610	150	750	810	645	412	189	630	--	330	330	910	48	180	254	355

- Note:**
1. Tolerance of shaft end diameter D: m6
  2. Tolerance of shaft center height H: +0, -1
  3. Tolerance of Key Width F: h9



**FIG.3**



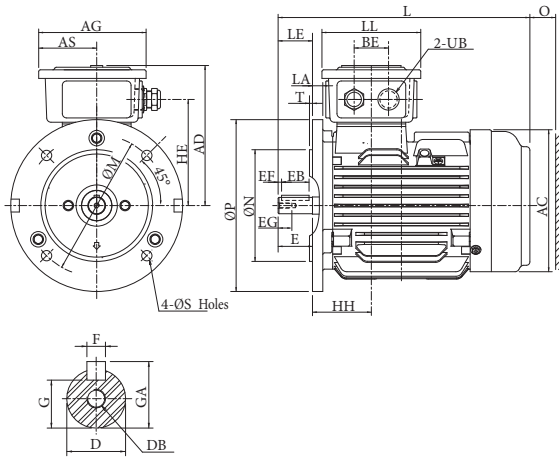
**FIG.4**

Dimension in mm

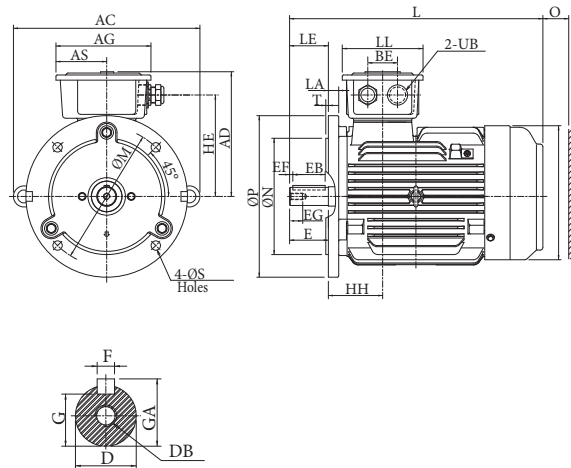
HA	HE	K	L	LL	O	UB	SHAFT EXTENSION									BEARING	
							D	E	EB	EF	EG	F	G	GA	DB	DRIVE END	OPPOSITE DRIVE END
35	367	24	1037.5	255	140	M63x1.5	65	140	125	7.5	40	18	58	69	M20	6316C3	6314C3
35	367	24	1037.5	255	140	M63x1.5	75	140	125	7.5	40	20	67.5	79.5	M20	6318C3	6316C3
35	367	24	1087.5	255	140	M63x1.5	65	140	125	7.5	40	18	58	69	M20	6316C3	6314C3
35	367	24	1087.5	255	140	M63x1.5	75	140	125	7.5	40	20	67.5	79.5	M20	6318C3	6316C3
35	430	28	1216	322	180	M63x1.5	65	140	125	7.5	40	18	58	69	M20	6316C3	6314C3
35	430	28	1246	322	180	M63x1.5	80	170	160	5	40	22	71	85	M20	6320C3	6316C3
35	430	28	1266	322	180	M63x1.5	65	140	125	7.5	40	18	58	69	M20	6316C3	6314C3
35	430	28	1296	322	180	M63x1.5	80	170	160	5	40	22	71	85	M20	6320C3	6316C3
45	430	28	1366	322	180	M63x1.5	65	140	125	7.5	40	18	58	69	M20	6316C3	6314C3
45	430	28	1396	322	180	M63x1.5	80	170	160	5	40	22	71	85	M20	6320C3	6316C3
45	485	28	1674	372	200	M72x2	75	140	125	7.5	40	20	67.5	79.5	M20	6316C3	6316C3
45	485	28	1704	372	200	M72x2	95	170	160	5	48	25	86	100	M24	6322C3	6322C3
45	540	28	1575	372	230	M72x2	75	140	125	7.5	40	20	67.5	79.5	M20	6318C3	6318C3
45	540	28	1605	372	230	M72x2	95	170	160	5	48	25	86	100	M24	6322C3	6322C3
45	540	28	1575	372	230	M72x2	75	140	125	7.5	40	20	67.5	79.5	M20	6318C3	6318C3
45	540	28	1605	372	230	M72x2	95	170	160	5	48	25	86	100	M24	6322C3	6322C3

## DIMENSION

**Horizontal Flange Mounted B5 (IM 3001)**  
**Vertical Flange Mounted, Shaft Down V1 (IM 3011)**  
**TYPE: AESU2W**



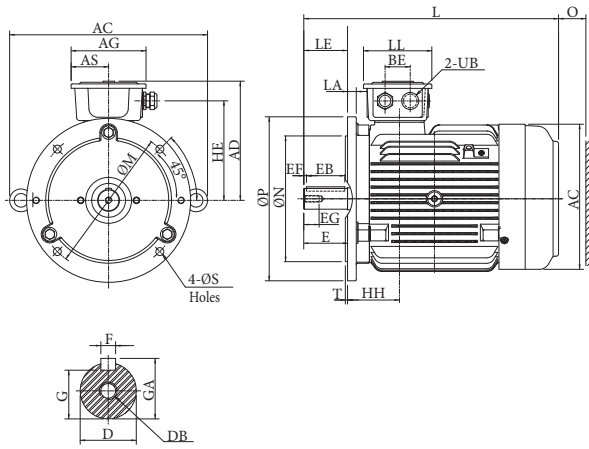
**FIG.1**



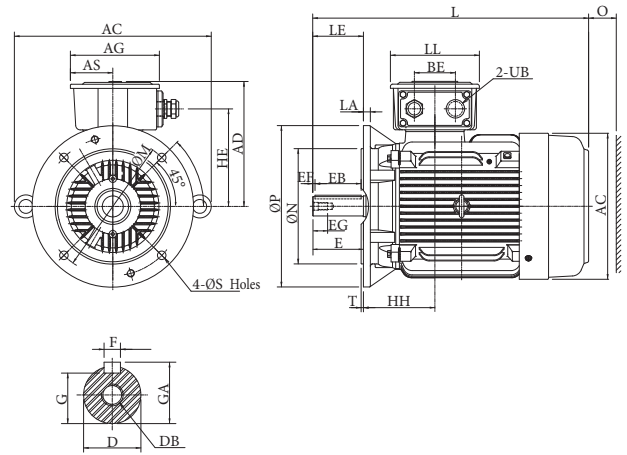
**FIG.2**

Output (kW)			FRAME SIZE	FIG. NO.	FLANGE DIMENSION							AC	AD	AG	AS	BE	HE	HH	
2P	4P	6P			LA	LE	M	N	P	S	T								
0.75	0.55	0.37	80M	1	12	40	165	130	200	12	3.5	177	163	125	67.5	40	123.5	68.5	
1.1	0.75	0.55			12	50	165	130	200	12	3.5	271	173	125	67.5	40	133.5	92	
1.5	1.1	0.75	90S	2	12	50	165	130	200	12	3.5	271	173	125	67.5	40	133.5	92	
2.2	1.5	1.1	90L		12	50	165	130	200	12	3.5	271	173	125	67.5	40	133.5	92	
3	2.2	1.5	100L		16	60	215	180	250	14.5	4	288.5	193	147	78.5	50	157	84	
4	4	2.2	112M	3	15	60	215	180	250	14.5	4	306.5	200.5	147	78.5	50	164.5	98	
5.5	5.5	3	132S		16	80	265	230	300	14.5	4	360	218	147	78.5	50	182	95	
7.5	--	--	132M	3	16	80	265	230	300	14.5	4	360	218	147	78.5	50	182	95	
--	7.5	4			16	80	265	230	300	14.5	4	360	218	147	78.5	50	182	95	
--	--	5.5	160M	4	15	110	300	250	350	18.5	5	427	273	193	91.5	89	215	155	
11	11	7.5			15	110	300	250	350	18.5	5	427	273	193	91.5	89	215	155	
15	--	--			160L	15	110	300	250	350	18.5	5	427	273	193	91.5	89	215	155
18.5	15	11			180M	15	110	300	250	350	18.5	5	476	299	193	91.5	89	241	160
22	18.5	--			180L	15	110	300	250	350	18.5	5	476	299	193	91.5	89	241	160
--	22	15	200L	4	15	110	300	250	350	18.5	5	476	299	193	91.5	89	241	160	
30	30	18.5			17	110	350	300	400	18.5	5	524	332	231	110.5	106	262	193	
37	30	22																	

- Note:**
1. Tolerance of shaft end diameter D: Among § 19~ § 28:j6
  2. Tolerance of shaft end diameter D: § 38:k6
  3. Tolerance of shaft end diameter D: Among § 42~ § 48:k6
  4. Tolerance of N: j6
  5. Bearing No. in( ) is for 2P.



**FIG.3**



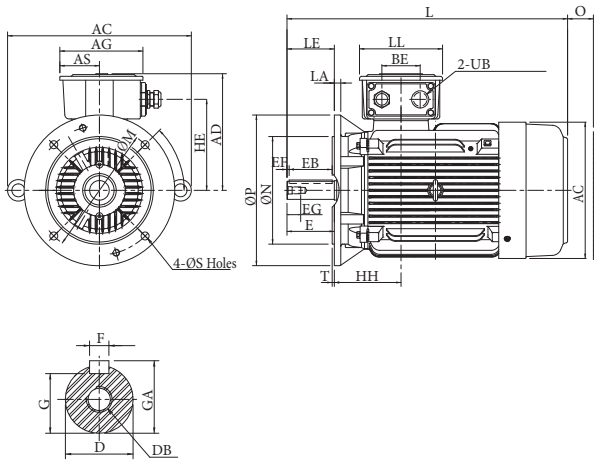
**FIG.4**

Dimension in mm

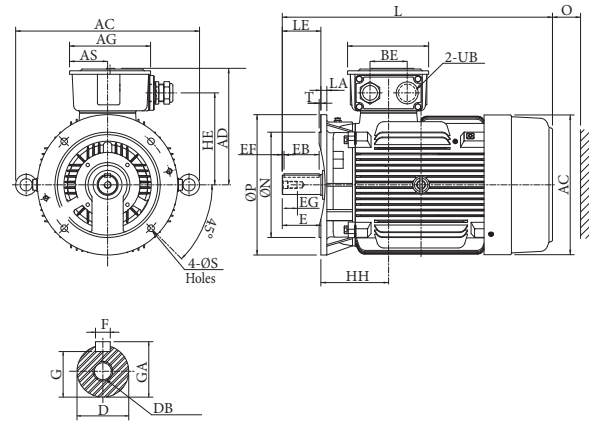
L	LL	O	UB	SHAFT EXTENSION									BEARING	
				D	E	EB	EF	EG	F	G	GA	DB	DRIVE END	OPPOSITE DRIVE END
293	115	40	M20x1.5	19	40	32	4	16	6	15.5	21.5	M6	6204ZZ	6204ZZ
344.5	115	40	M20x1.5	24	50	40	5	19	8	20	27	M8	6205ZZ	6205ZZ
369.5	115	40	M20x1.5	24	50	40	5	19	8	20	27	M8	6205ZZ	6205ZZ
392	125	50	M25x1.5	28	60	50	5	22	8	24	31	M10	6206ZZ	6206ZZ
412.5	125	50	M25x1.5	28	60	50	5	22	8	24	31	M10	6306ZZ	6306ZZ
466	125	50	M25x1.5	38	80	70	5	28	10	33	41	M12	6308ZZ	6306ZZ
504	125	50	M25x1.5	38	80	70	5	28	10	33	41	M12	6308ZZ	6306ZZ
608	193	60	M32x1.5	42	110	100	5	36	12	37	45	M16	6309ZZ	6307ZZ
652	193	60	M32x1.5	42	110	100	5	36	12	37	45	M16	6309ZZ	6307ZZ
672	193	70	M32x1.5	48	110	100	5	36	14	42.5	51.5	M16	(6311C3)	(6310C3)
710	193	70	M32x1.5	48	110	100	5	36	14	42.5	51.5	M16	6311	6310
770	231	80	M50x1.5	55	110	100	5	42	16	49	59	M20	(6312C3) 6312	(6212C3) 6212

## DIMENSION

**Horizontal Flange Mounted B5 (IM 3001)**  
**Vertical Flange Mounted, Shaft Down V1 (IM 3011)**  
**TYPE: AESU2W**



**FIG.1**



**FIG.2**

Output (kW)			FRAME SIZE	FIG. NO.	FLANGE DIMENSION							AC	AD	AG	AS	BE	HE	HH
2P	4P	6P			LA	LE	M	N	P	S	T							
--	37	--	225SC	1	20	140	400	350	450	18.5	5	574	358	231	110.5	106	288	186.5
45	--	--	225MA		20	110	400	350	450	18.5	5	574	358	231	110.5	106	288	186.5
--	45	30	225MC		20	140	400	350	450	18.5	5	574	358	231	110.5	106	288	186.5
55	--	--	250MA	2	22	140	500	450	550	18.5	5	642	400	255	122.5	119	322	225.5
--	55	37	250MC		22	140	500	450	550	18.5	5	642	400	255	122.5	119	322	225.5
75	--	--	280SA	3	22	140	500	450	550	18.5	5	717	446	255	122.5	119	367	238
--	75	45	280SB		22	140	500	450	550	18.5	5	717	446	255	122.5	119	367	238
90	--	--	280MA		22	140	500	450	550	18.5	5	717	446	255	122.5	119	367	238
--	90	55	280MB		22	140	500	450	550	18.5	5	717	446	255	122.5	119	367	238
110	--	--	315SA	4	25	140	600	550	660	24	6	660	527	336	163	140	430	269
--	110	75	315SB		25	170	600	550	660	24	6	660	527	336	163	140	430	269
132 (160)	--	--	315MA		25	140	600	550	660	24	6	660	527	336	163	140	430	269
--	132 (160)	90 (110)	315MB		25	170	600	550	660	24	6	660	527	336	163	140	430	269

- Note:**
1. Tolerance of shaft end diameter D: m6
  2. Tolerance of N: j6
  3. Tolerance of Key Width F: h9
  4. Bearing No. in ( ) is for 2P, marked "\*" is for Vertical mounting
  5. Output in the Brackets for Optional Matching

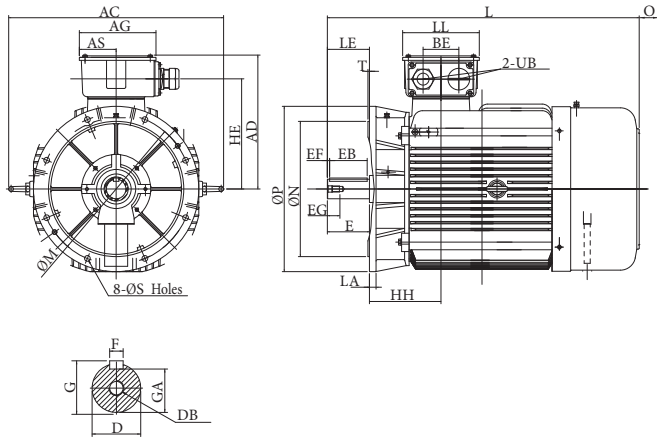


FIG.3

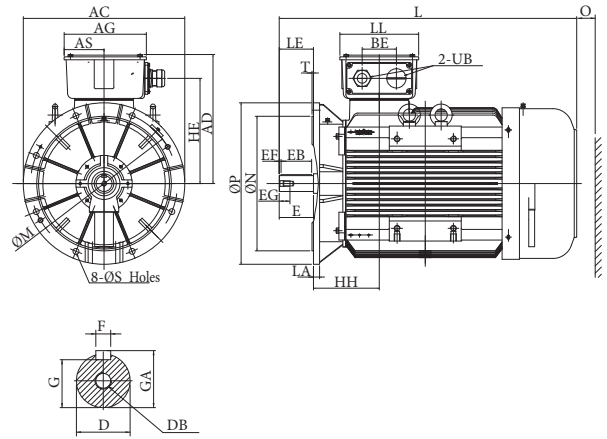


FIG.4

Dimension in mm

L	LL	O	UB	SHAFT EXTENSION									BEARING	
				D	E	EB	EF	EG	F	G	GA	DB	DRIVE END	OPPOSITE DRIVE END
816	231	90	M50x1.5	60	140	125	7.5	42	18	53	64	M20	(6312C3) 6313	(6212C3) 6213
811	231	90	M50x1.5	55	110	100	5	42	16	49	59	M20		
841	231	90	M50x1.5	60	140	125	7.5	42	18	53	64	M20		
921	255	105	M63x1.5	60	140	125	7.5	42	18	53	64	M20	(6313C3) 6315	(6313C3) 6313
921	255	105	M63x1.5	65	140	125	7.5	42	18	58	69	M20		
1037.5	255	140	M63x1.5	65	140	125	7.5	40	18	58	69	M20	6316C3	6314C3
1037.5	255	140	M63x1.5	75	140	125	7.5	40	20	67.5	79.5	M20	6318C3	6316C3
1087.5	255	140	M63x1.5	65	140	125	7.5	40	18	58	69	M20	6316C3	6314C3
1087.5	255	140	M63x1.5	75	140	125	7.5	40	20	67.5	79.5	M20	6318C3	6316C3
1216	322	180	M63x1.5	65	140	125	7.5	40	18	58	69	M20	6316C3 *7316C3	6314C3
1246	322	180	M63x1.5	80	170	160	5	40	22	71	85	M20	6320C3	6316C3
1266	322	180	M63x1.5	65	140	125	7.5	40	18	58	69	M20	6316C3 *7316C3	6314C3
1296	322	180	M63x1.5	80	170	160	5	40	22	71	85	M20	6320C3	6316C3

## DIMENSION

### Foot and Flange Mounting B35 (IM 2001) TYPE: AESV2W

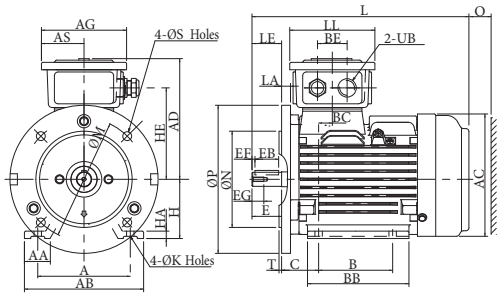


FIG. 1

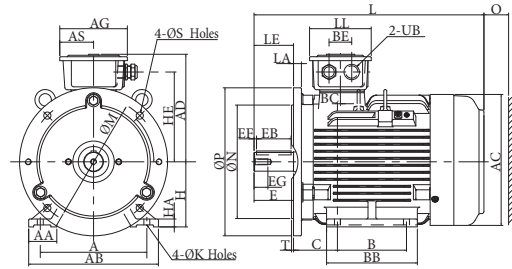


FIG. 2

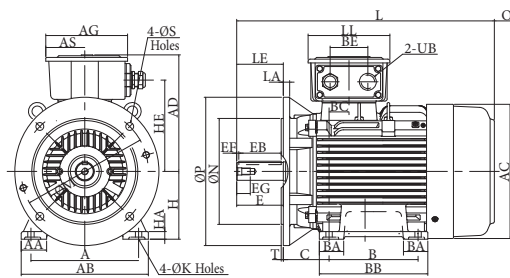


FIG. 3

Output (kW)			FRAME SIZE	FIG. NO.	FLANGE DIMENSION								A	AA	AB	AC	AD	AG	AS	B	B'	BA	BA'	BB
2P	4P	6P			LA	LE	M	N	P	S	T													
0.75	0.55	0.37	80M	1	12	40	165	130	200	12	3.5	125	34.5	161	177	163	125	67.5	100	--	--	--	137	
1.1	0.75	0.55			12	50	165	130	200	12	3.5	140	40.0	180	197	173	125	67.5	100	--	--	--	161	
1.5	1.1	0.75	90S	2	12	50	165	130	200	12	3.5	140	40.0	180	197	173	125	67.5	100	--	--	--	161	
2.2	1.5	1.1	90L		12	50	165	130	200	12	3.5	140	40.0	180	197	173	125	67.5	125	--	--	--	186	
3	2.2	1.5	100L	2	16	60	215	180	250	14.5	4	160	40.0	200	219	193	147	78.5	140	--	--	--	181	
--	3	--			16	60	215	180	250	14.5	4	190	45.0	235	235	200.5	147	78.5	140	--	--	--	186	
4	4	2.2	112M	3	15	60	215	180	250	14.5	4	190	45.0	235	235	200.5	147	78.5	140	--	--	--	186	
5.5	5.5	3	132S		16	80	265	230	300	14.5	4	216	57.0	263	273	218	147	78.5	140	--	--	--	184	
--	7.5	4	132M	3	16	80	265	230	300	14.5	4	216	57.0	263	273	218	147	78.5	178	--	--	--	222	
--	--	5.5			16	80	265	230	300	14.5	4	216	57.0	263	273	218	147	78.5	178	--	--	--	222	
11	11	7.5	160M	4	15	110	300	250	350	18.5	5	254	60.0	300	317	273	193	91.5	210	--	57.5	57.5	256	
15	--	--	160L		15	110	300	250	350	18.5	5	254	60.0	300	317	273	193	91.5	254	--	57.5	101.5	300	
18.5	15	11	180M		15	110	300	250	350	18.5	5	279	65.0	330	354	299	193	91.5	241	--	62	62	292	
22	18.5	--	180L		15	110	300	250	350	18.5	5	279	65.0	330	354	299	193	91.5	279	241	62	100	330	
--	22	15	200L		17	110	350	300	400	18.5	5	318	70.0	378	398	332	231	110.5	305	--	76	76	365	
30	30	18.5	225SC	5	20	140	400	350	450	18.5	5	356	75.0	431	449	358	231	110.5	286	--	90	90	350	
--	37	--			225MA	20	110	400	350	450	18.5	5	356	75.0	431	449	358	231	110.5	311	286	90	115	375
--	45	30	225MC	6	20	140	400	350	450	18.5	5	356	75.0	431	449	358	231	110.5	311	286	90	115	375	
55	--	--	250MA		22	140	500	450	550	18.5	5	406	85.0	480	499	400	255	122.5	349	--	105	105	425	
--	55	37	250MC	22	140	500	450	550	18.5	5	406	85.0	480	499	400	255	122.5	349	--	105	105	425		

- Note:**
1. Tolerance of shaft end diameter D: Among  $\text{§ } 19\sim \text{§ } 28:j6$
  2. Tolerance of shaft end diameter D:  $\text{§ } 38:k6$
  3. Tolerance of shaft end diameter D: Among  $\text{§ } 42\sim \text{§ } 48 :k6$
  4. Tolerance of shaft end diameter D: Among  $\text{§ } 55\sim \text{§ } 65:m6$



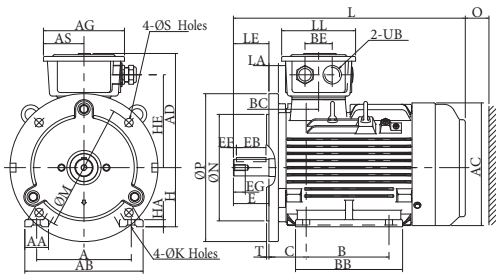


FIG.4

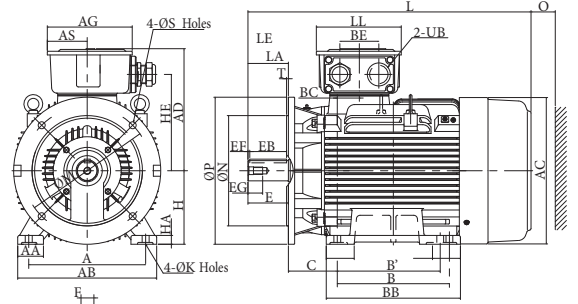


FIG.5

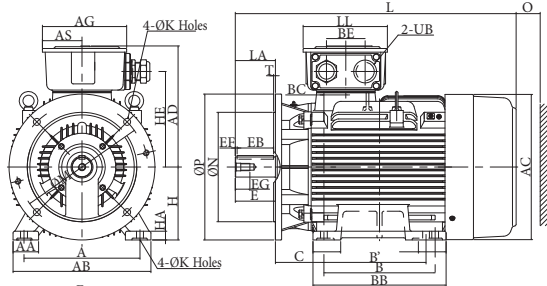


FIG.6

Dimension in mm

BC	BE	C	H	HA	HE	K	L	LL	O	UB	SHAFT EXTENSION								BEARING		
											D	E	EB	EF	EG	F	G	GA	DB	DRIVE END	OPPOSITE DRIVE END
18.5	40	50	80	10	123.5	10	293	115	40	M20x1.5	19	40	32	4	16	6	15.5	21.5	M6	6204ZZ	6204ZZ
36	40	56	90	10	133.5	10	344.5	115	40	M20x1.5	24	50	40	5	19	8	20	27	M8	6205ZZ	6205ZZ
36	40	56	90	10	133.5	10	369.5	115	40	M20x1.5	24	50	40	5	19	8	20	27	M8	6205ZZ	6205ZZ
21	50	63	100	12	157	12	392.	125	50	M25x1.5	28	60	50	5	22	8	24	31	M10	6206ZZ	6206ZZ
28	50	70	112	13	164.5	12	412.5	125	50	M25x1.5	28	60	50	5	22	8	24	31	M10	6306ZZ	6306ZZ
6	50	89	132	16	182	12	466	125	50	M25x1.5	38	80	70	5	28	10	33	41	M12	6308ZZ	6306ZZ
6	50	89	132	16	182	12	504	125	50	M25x1.5	38	80	70	5	28	10	33	41	M12	6308ZZ	6306ZZ
38	89	108	160	18	215	14.5	608	193	60	M32x1.5	42	110	100	5	36	12	37	45	M16	6309ZZ	6307ZZ
38	89	108	160	18	215	14.5	652	193	60	M32x1.5	42	110	100	5	36	12	37	45	M16	6309ZZ	6307ZZ
39	89	121	180	20	241	14.5	672	193	70	M32x1.5	48	110	100	5	36	14	42.5	51.5	M16	(6311C3)	(6310C3)
39	89	121	180	20	241	14.5	710	193	70	M32x1.5	48	110	100	5	36	14	42.5	51.5	M16	6311	6310
60	106	133	200	24	262	18.5	770	231	80	M50x1.5	55	110	100	5	42	16	49	59	M20	(6312C3) 6312	(6212C3) 6212
37.5	106	149	225	28	288	18.5	816	231	90	M50x1.5	60	140	125	7.5	42	18	53	64	M20	(6312C3)	(6212C3)
37.5	106	149	225	28	288	18.5	811	231	90	M50x1.5	55	110	100	5	42	16	49	59	M20	6313	6213
37.5	106	149	225	28	288	18.5	841	231	90	M50x1.5	60	140	125	7.5	42	18	53	64	M20		
57.5	119	168	250	30	322	24	921	255	105	M63x1.5	60	140	125	7.5	42	18	53	64	M20	(6313C3)	(6313C3)
57.5	119	168	250	30	322	24	921	255	105	M63x1.5	65	140	125	7.5	42	18	58	69	M20	6315	6313

Note: 5. Tolerance of shaft center high H:+0, -0.5.

6. Tolerance of N: j6

7. Bearing No. in( ) is for 2P.

## DIMENSION

### Foot and Flange Mounting B35 (IM 2001) TYPE: AESV2W

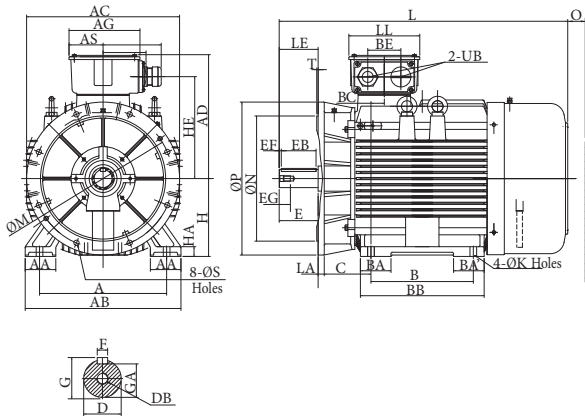


FIG.1

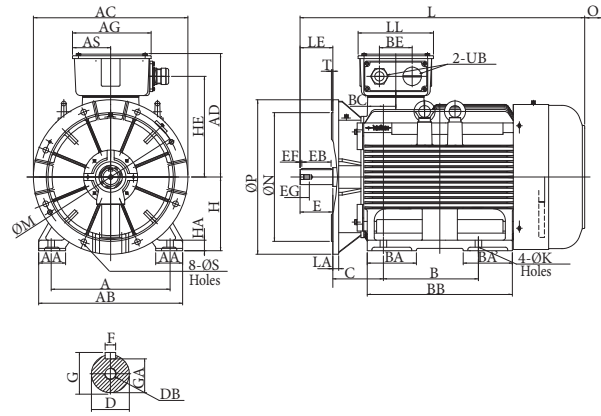


FIG.2

Output (kW)			FRAME	FIG.	FLANGE DIMENSION																		
2P	4P	6P	SIZE	NO.	LA	LE	M	N	P	S	T	A	AA	AB	AC	AD	AG	AS	B	B'	BA	BA'	BB
75	--	--	280SA	1	22	140	500	450	550	18.5	5	457	110	560	550	446	255	122.5	368	--	110	110	445
--	75	45	280SB		22	140	500	450	550	18.5	5	457	110	560	550	446	255	122.5	368	--	110	110	445
90	--	--	280MA		22	140	500	450	550	18.5	5	457	110	560	550	446	255	122.5	419	--	130	137	495
--	90	55	280MB		22	140	500	450	550	18.5	5	457	110	560	550	446	255	122.5	419	--	130	137	495
110	--	--	315SA	2	25	140	600	550	660	24	6	508	115	615	660	527.5	336	163	406	--	210	210	620
--	110	75	315SB		25	170	600	550	660	24	6	508	115	615	660	527.5	336	163	406	--	210	210	620
132 (160)	--	--	315MA		25	140	600	550	660	24	6	508	115	615	660	527.5	336	163	457	--	240	240	670
--	132 (160)	90 (110)	315MB		25	170	600	550	660	24	6	508	115	615	660	527.5	336	163	457	--	240	240	670
160 200	--	--	315LA	3	25	140	600	550	660	24	6	508	130	630	660	527.5	336	163	508	--	230	230	770
--	160 200	110 132 (160)	315LB		25	170	600	550	660	24	6	508	130	630	660	527.5	336	163	508	--	230	230	770
250 315	--	--	315DA	4	30	140	600	550	660	24	6	508	150	650	682	590	412	189	900	--	180	250	1060
--	250 315	200 250	315DB		30	170	600	550	660	24	6	508	150	650	682	590	412	189	900	--	180	250	1060
250	--	--	355MA	5	30	140	740	680	800	24	6	610	150	750	810	645	412	189	--	560	330	330	910
--	250	200	355MB		30	170	740	680	800	24	6	610	150	750	810	645	412	189	--	560	330	330	910
315	--	--	355LA		30	140	740	680	800	24	6	610	150	750	810	645	412	189	630	--	330	330	910
--	315	250	355LB		30	170	740	680	800	24	6	610	150	750	810	645	412	189	630	--	330	330	910

- Note:** 1. Tolerance of shaft end diameter D: m6  
 2. Tolerance of N: j6  
 3. Tolerance of shaft center height H: +0, -1

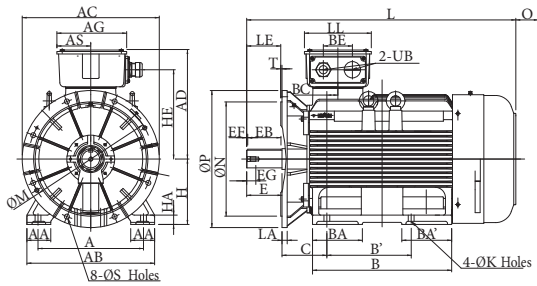


FIG. 3

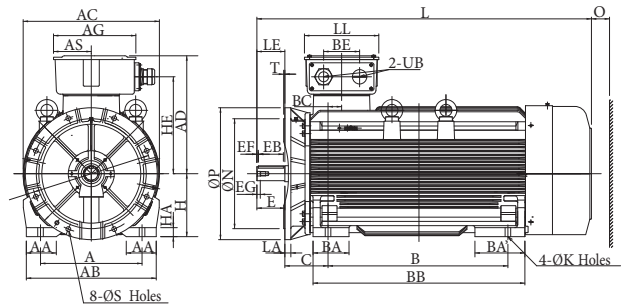


FIG. 4

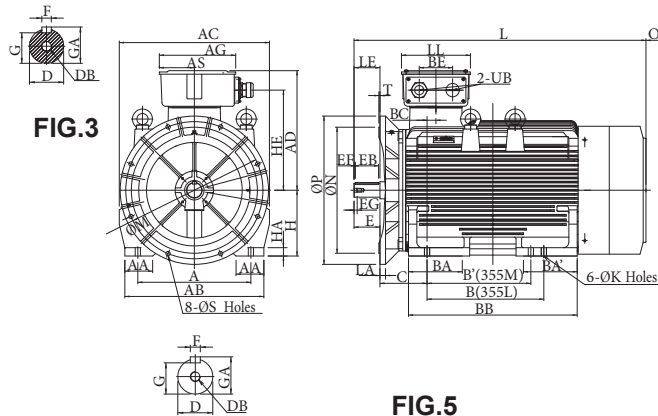


FIG. 5

Dimension in mm

BC	BE	C	H	HA	HE	K	L	LL	O	UB	SHAFT EXTENSION								BEARING		
											D	E	EB	EF	EG	F	G	GA	DB	DRIVE END	OPPOSITE DRIVE END
48	119	190	280	35	367	24	1037.5	255	140	M63x1.5	65	140	125	7.5	40	18	58	69	M20	6316C3	6314C3
48	119	190	280	35	367	24	1037.5	255	140	M63x1.5	75	140	125	7.5	40	20	67.5	79.5	M20	6318C3	6316C3
48	119	190	280	35	367	24	1087.5	255	140	M63x1.5	65	140	125	7.5	40	18	58	69	M20	6316C3	6314C3
48	119	190	280	35	367	24	1087.5	255	140	M63x1.5	75	140	125	7.5	40	20	67.5	79.5	M20	6318C3	6316C3
53	140	216	315	35	430	28	1216	322	180	M63x1.5	65	140	125	7.5	40	18	58	69	M20	6316C3	6314C3
53	140	216	315	35	430	28	1246	322	180	M63x1.5	80	170	160	5	40	22	71	85	M20	6320C3	6316C3
53	140	216	315	35	430	28	1266	322	180	M63x1.5	65	140	125	7.5	40	18	58	69	M20	6316C3	6314C3
53	140	216	315	35	430	28	1296	322	180	M63x1.5	80	170	160	5	40	22	71	85	M20	6320C3	6316C3
53	140	216	315	45	430	28	1366	322	180	M63x1.5	65	140	125	7.5	40	18	58	69	M20	6316C3	6314C3
53	140	216	315	45	430	28	1396	322	180	M63x1.5	80	170	160	5	40	22	71	85	M20	6320C3	6316C3
68	180	216	315	45	485	28	1674	372	200	M72x2	75	140	125	7.5	40	20	67.5	79.5	M20	6316C3	6316C3
68	180	216	315	45	485	28	1704	372	200	M72x2	95	170	160	5	48	25	86	100	M24	6322C3	6322C3
48	180	254	355	45	540	28	1575	372	230	M72x2	75	140	125	7.5	40	20	67.5	79.5	M20	6318C3	6318C3
48	180	254	355	45	540	28	1605	372	230	M72x2	95	170	160	5	48	25	86	100	M24	6322C3	6322C3
48	180	254	355	45	540	28	1575	372	230	M72x2	75	140	125	7.5	40	20	67.5	79.5	M20	6318C3	6318C3
48	180	254	355	45	540	28	1605	372	230	M72x2	95	170	160	5	48	25	86	100	M24	6322C3	6322C3

Note: 4. Tolerance of Key Width F: h9  
5. Output in the Brackets for Optional Matching

**HEAD OFFICE**

TECO Electric & Machinery Co., Ltd  
10F No.3-1, Yuan Cyu st.  
Nan-kang Taipei 115  
Taiwan ROC  
TEL: +886 2 6615 9111  
www.teco.com.tw

**UNITED STATES**

TECO-Westinghouse Motor Company  
5100 N IH-35  
Round Rock Texas 78681 USA  
Tel: +1 512 225 4141  
Fax: +1 512 244 5512  
Toll Free: +1 800 451 8798  
www.tecowestinghouse.com

**CANADA**

TECO-Westinghouse Motors Inc. (Canada)  
18060-109 Avenue, Edmonton, Alberta  
T5S 2K2 Canada  
Tel: +1 (780) 444 8933  
Fax: +1 (780) 486 4575  
24 HR Emergency ph:  
+1 (780) 994 8964  
Toll Free: +1 800 661 4023  
Fax Toll Free: +1 888 USE TWMI  
www.twmi.com

**MEXICO**

TECO Westinghouse Motor Company  
S.A. de C.V.  
Circuito Mexiamora Poniente No. 321  
Col. Puerto Interior,  
Parque Santa Fe CP 36275  
Silao, Guanajuato., México  
Tel: +52 (472) 748 9016 al 20

**NETHERLANDS**

Teco Electric & Machinery B.V.  
Rivium 3e Straat 17  
2909 LH Capelle a/d IJssel  
The Netherlands  
Tel: +31 (0)10 266 6633  
Fax: +31 (0) 10 202 6415  
www.teco-group.eu

**UNITED KINGDOM**

TECO ELECTRIC EUROPE LTD  
7 Dakota Avenue, Salford M50 2PU  
United Kingdom  
Tel: +44 161 877 8025  
Fax: +44 161 877 8030  
www.teco-group.eu

**GERMANY**

TECO Electric and Machinery GmbH  
Poststrasse 6  
37441 Bad Sachsa  
Germany  
Tel: +49 (0) 5523 95340  
Fax: +49 (0) 5523 9534 24  
www.teco-group.eu

**SPAIN**

C/Apostol Santiago, 38, 1<sup>a</sup>-1,  
28017 Madrid  
Spain  
Tel: +34 91 326 30 91  
Fax: +34 91 326 30 91  
www.teco-group.eu

**MIDDLE EAST**

Teco Middle East Electric & Machinery  
Co., Ltd.  
Kingdom of Saudi Arabia Dammam City  
P.O. Box 708 - Dammam 31421 KSA  
Tel: +966 3 812 4823  
Fax: +966 3 834 1678  
www.teco-me.com

**SAUDI ARABIA**

Al Quraishi Electrical Services of S.A.  
Al Quraishi Center, King Khalid Street,  
P.O.Box 7386, Dammam-31462  
Tel: +966 3 857-2537  
Fax: +966 3 857-2541  
www.aqesa.com

**IRAN, AZERBAIJAN & ARMENIA**

ATLAS DIBA Engineering & Trade Co.  
No.3, Fakouri St., South Kadj Ave.  
Golha Sq., Fatemi, Tehran, Iran  
Tel: +98 21 88 33 03 81-3  
Fax: +98 21 88 33 03 84  
www.atlasdibaco.com

**EGYPT**

Amosl & Co.  
38 Mossadak Street Dokki, Giza, Egypt  
Tel: +202 333 79 744  
Fax: +202 376 20 307

**TURKEY**

TECO Electric Turkey Joint Stock Company  
E-mail: amycheng@teco.com.tw  
tony.cheng@teco.com.tw

**SOUTH AFRICA**

TECO Electric & Machinery Co. Ltd  
E-mail: manish@teco.com.tw

**AUSTRALIA**

Teco Australia Pty Ltd.  
335-337 Woodpark Road  
Smithfield NSW 2164 Australia  
Tel: +61 2 9765 8118  
www.teco.com.au

**NEW ZEALAND**

Teco New Zealand Pty Ltd.  
Unit 3, 477 Great South Road  
Penrose Auckland New Zealand  
Tel: +64 9 526 8480

**JAPAN**

Sankyo Co., Ltd.  
26th fl. World Trading Center Bldg.  
2-4-1 Hamamatsucho Minato-ku  
Tokyo Japan 105-6126  
Tel: +81 3 3435 9729  
Fax: +81 3 3578 8381

**SINGAPORE**

Teco Electric & Machinery(PTE)Ltd.  
18 chin Bee Drive  
Singapore 619865  
Tel: +65 6 265 4622  
www.teco.com.sg

**INDONESIA**

PT. Teco Multiguna Elektro  
JL. Bandengan Utara No. 83/1-2-3  
Jakarta Utara-14440 Indonesia  
Tel: +62 21 662 2201

**INDIA**

ELGI ELECTRIC AND INDUSTRIES LTD.  
ELGI Towers, 737-D, Green Fields,  
Puliakulam Road,  
Coimbatore - 641045, India  
Phone: +91 422 2311 711  
Fax: +91 422 2314 411  
www.elgielectric.com

**CHINA**

Shanghai Office  
Rm 321 Building No.6  
Lane 1279 Zhongshan W. Rd.  
Shanghai, P.R.C  
Tel: +86 21 5116 8255  
Fax: +86 21 6278 8761

Wuxi Teco Electric & Machinery Co., Ltd  
No. 9 South of Changjiang Road,  
New Zone, Wuxi  
Jiangsu Province, P.R.C.  
Tel: +86 510 8534 2005  
Fax: +86 510 8534 2001  
www.wuxiteco.com

Jiangxi Teco Electric & Machinery Co., Ltd  
189 Dongyuan Rd. Hi-Tech Zone, Nanchang  
Jiangxi Province, P.R.C.  
Tel: +86 791 819 5999  
Fax: +86 791 816 7730

SUZHOU TECO Electric & Machinery Co., Ltd  
No.1 Changjiang W.Rd.  
South-Dam Industrial Park,  
Liuhe Town, Taicang City,  
Suzhou, Jiangsu Province, P.R.C.  
Tel: +86 512 5361 9901  
Fax: +86 512 5396 1058

FUJIAN TECO PRECISION CO.,LTD  
Xiayang, Jizhao, Zhanggang village,  
Saiqi Economical & Development Zone,  
Fuan, Fujian, P.R.C.  
TEL: +86 593 633 0300  
FAX: +86 593 633 0303

**HONG KONG**

Tecoson Industrial Development  
(HK) Co., Ltd  
Rm 3712 Hong Kong Plaza  
186-191 Connaught Rd. West  
Hong Kong  
Tel: +852 2858 3220

**MALAYSIA**

Plo 52, Jalan Firma 2/1,  
Kawasan Perindustrian Tebrau 1,  
81100 Johor Bahru, Johor, Malaysia  
Tel: (60) 7-3518862 / (60) 7-3548008  
Fax: (60) 7-3546107

**THAILAND**

Teco Electric & Machinery  
(Thai) Co., Ltd.  
128/1 Soi Watsrivarenoi  
Moo 7 Bangna-Trad Road Km 18  
Bangchalong Bangplee  
Samuthprakarn 10540 Thailand  
Tel: +662-3371311-20

**VIETNAM**

Teco (Vietnam) Electric & Machinery Co.,Ltd.  
KON LONG Thanh,Huyen Long Thanh  
Tinh Dong Nai. Vietnam  
Tel: +84 61 3514151  
Fax: +84 61 351 4110

**PHILIPPINES**

Trade  
No. 56 Aragon Street San Francisco  
Del Monte 1100 Quezon City Metro Manila,  
Philippines  
Tel: (632) 371-3032  
Fax: (632) 371-1175  
www.tradeoneinc.com