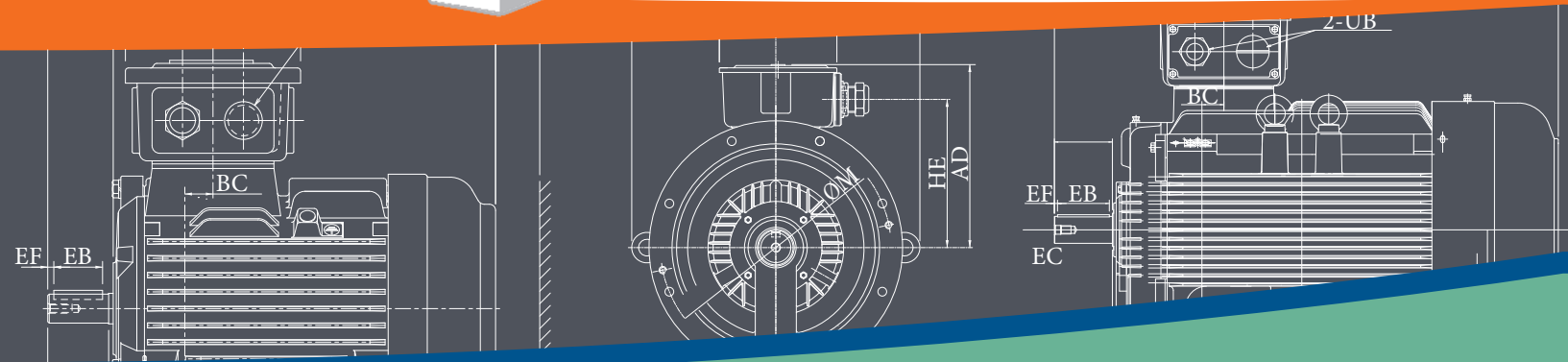
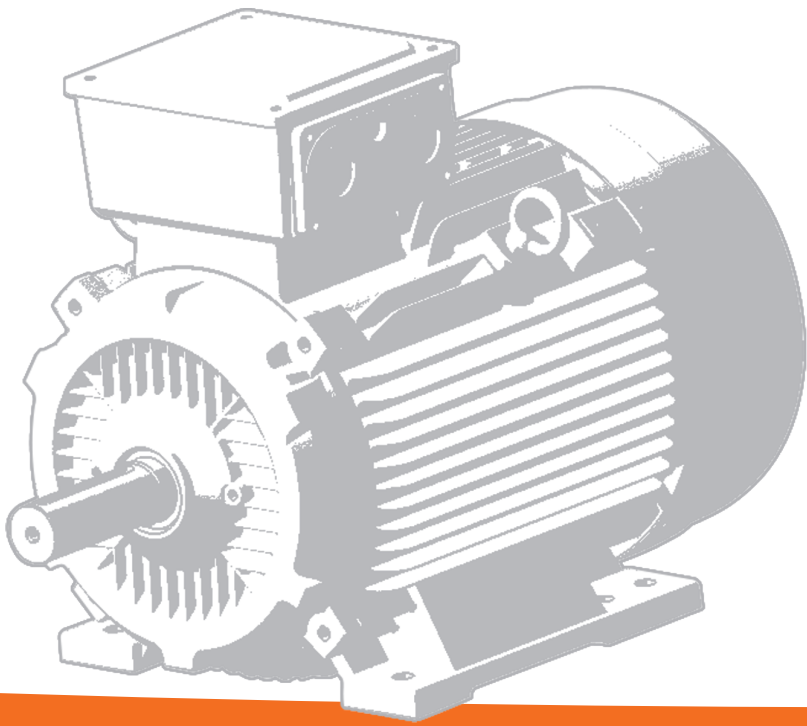


Standard Motor Catalogue **IE 2** **IE 3**

TECO

e-motion



AESV2W, AESU2W
AESV3W, AESU3W

TECO Group

Growth-Challenge-Unlimited Exploration

TECO, a famous globalize enterprise group, share the third in global industrial motor of the world; and it has successfully diversified into a highly competitive development conglomerate with worldwide business operations including heavy electrical, home appliance, electronics, IT system, telecommunications equipments, financial investment from the motor giant enterprises. TECO Group currently has nearly hundred oversea affiliates and subsidiaries, and the total global employee amount is over tens of thousands. It has a wide range technology cooperation with many world famous enterprise, such as GE, Japan Yaskawas, the U.S. Westinghouse, Siemens of Germany, Japan, Hitachi, Mitsubishi and so on, its business territory has been extended to Asia, America, Europe, Australia, and became known as a well-known World Group, **TECO** had become an international brand.

TECO History

- 1956** Company foundation and start of production in the first TECO factory in San-Chung, Taiwan
- 1965** Production capacity increased by opening new factory in Shin-Chuan, Taiwan
- 1966** Start of close technical co-operation with Hitachi, Yaskawa and Taiyo.
- 1979** Further production capacity increase by opening a factory in Chung Li, Taiwan Plant I (Heavy Motor Plant)
- 1987** Opened Chung Li Plant II for serial motor production (Small Motor Plant)
- 1987** Started Joint venture with Westinghouse Motor Company, USA, one of the leading motor manufacturers in North America
- 1991** Foundation of **TECO** Perai, Penang Provence, Malaysia, to serve the local market with low voltage motors
- 1995** 100% take over of Westinghouse motor business by **TECO**
- 1995** Foundation of **TECO** Westinghouse Motor Company
- 2000** Opened **TECO** factory for low voltage motors in Suzhou, Jiangsu Provence, China
- 2003** Opened **TECO** factory for low and medium voltage motors in Wuxi, China
- 2005** Opened third **TECO** factory in Nanchang, Jiiangxi Provence, China
- 2006** Opened factory in Huyen Long Thanh, Tinh dong Nai Provence, Vietnam to increase local business
- 2008** Opened **TECO** repair and assembling plant in Dammam, Kingdom of Saudi Arabia, on joint venture basis
- 2008** Established **TECO** fuan in Fujian Provence, China, with a decision for construction of a new plant
- 2010** Starting the prodction of aluminum motors and semi finished aluminum parts at **TECO** Fuan factory in Fujian Provence, China.
- 2012** Established India Branch Company.
- 2013** Established Turkey Branch Company
- 2014** Established bonded warehouse in Netherlands



Performance Characteristics

Max. r.p.m

Safe running speed for the squirrel-cage induction motors. Unless otherwise the name plate specifies, all the squirrel-cage, 3 phase, induction motors lower than 1000V and smaller than 315 Frame Size can safely run continuously at the speed in the table below.

The safe Max. r.p.m. for the squirrel-cage, 3 phase induction motors of 1000V or lower.

Frame Size	2 Pole	4 Pole	6 Pole
≤ 100	5200	3600	2400
112	5200	3600	2400
132	4500	2700	2400
160	4500	2700	2400
180	4500	2700	2400
200	4500	2300	1800
225	3600	2300	1800
250	3600	2300	1800
280	3600	2300	1800
315	3600	2300	1800

Note: When the motors run above the rated speed, for example, using in speed controller, the noise and vibration will increase. In this situation, the motors are required to be corrected to satisfy the acceleration ability above the rated speed. Besides, the bearing lifetime will decrease. Pay attention to the time for adding the oil and grease to insure its lifetime.

Grease Life (Horizontal installation)

Frame Size	Pole	Grease lifetime up to CT 40°C
Grease for permanent lubrication bearing		
80~225	2, 4, 6	20000 hours (B3 mounting)
Grease for regreasable bearing		
250~280	2	3000 hours
250~280	4, 6	8000 hours
315~355	2	2000 hours
315~355	4, 6	4000 hours

Note:

1. If the coolant temperature is increase by 10K, the grease lifetime and regreasing interval are halved.
2. 2000 hours apply to horizontally installed motors with coupling transmission.

Mounting Arrangement (IM code)

Foot Mounted		Flange Mounted		Foot / Flange Mounted	
IM 1001 (IM B3)		IM 3001 (IM B5)		IM 2001 (IM B35)	
Horizontal Shaft. Foot mounted.		Horizontal Shaft. 'D' type flange at D.E. No feet.		Horizontal Shaft. 'D' type flange at D.E. Foot mounted.	
IM 1051 (IM B6)		IM 3011 (IM V1)		IM 2011 (IM V15)	
Horizontal Shaft. Foot wall mounted with feet on left-side when viewed from D.E.		Vertical Shaft. 'D' type flange at D.E. Shaft down. No feet.		Vertical Shaft. 'D' type flange at D.E. Wall mounted. Shaft down.	
IM 1061 (IM B7)		IM 3031 (IM V3)		IM 2031 (IM V36)	
Horizontal Shaft. Foot wall mounted with feet on right-side when viewed from D.E.		Vertical Shaft. 'D' type flange at D.E. Shaft up. No feet.		Vertical Shaft. 'D' type flange at D.E. Wall mounted. Shaft up.	
IM 1071 (IM B8)		IM 3601 (IM B14)		IM 2101 (IM B34)	
Horizontal Shaft. Ceiling mounted with feet above motor.		Horizontal Shaft. 'C' type flange at D.E. No feet.		Horizontal Shaft. 'C' type flange at D.E. Foot mounted.	
IM 1011 (IM V5)		IM 3611 (IM V18)		IM 2111	
Vertical Shaft. Wall mounted. Shaft down.		Vertical Shaft. 'C' type flange at D.E. Shaft down. No feet.		Vertical Shaft. 'C' type flange at D.E. Wall mounted. Shaft down.	
IM 1031 (IM V6)		IM 3631 (IM V19)		IM 2131	
Vertical Shaft. Wall mounted. Shaft up.		Vertical Shaft. 'C' type flange at D.E. Shaft up. No feet.		Vertical Shaft. 'C' type flange at D.E. Wall mounted. Shaft up.	

It is important to nominate the "IM" code at enquiry and order stage to ensure that drain holes are in the correct position and bearing arrangement is checked for suitability if the "IM" code differs from standard.

Standard Mounting Arrangement

TECO Stock Motors - Standard Mounting Arrangement and Terminal Box Position				
Mounting	IM Code	(IM Code)	Terminal box position (viewed from drive end)	Cable entry direction
Foot	IM1001	IMB3	Right	From below
Flange	IM3011	IMV1	As needed (motor can be rotated)	From flange end
Foot & Flange	IM2001	IMB35	Right	From below

BASIC SPECIFICATION - AESV2W, AESU2W

RATING	Kind of Motors	Squirrel-Cage Induction Motors (SCIM)				
	Design Standard	IEC				
	Voltages	380V, 400V, 415V or others				
	Frequency	50Hz or 60Hz				
	Output Range	0.55kW~315kW				
	R.P.M (SYN.)	3000~1000 R.P.M. (2~6 Poles)				
	Time Duty	Continuous S1, S.F. 1.0				
	Frame No.	80M~355L				
	Protection Enclosure	Totally Enclosed (IP55)				
	Cooling Method	Self External Fan, Surface Cooling (IC411)				
	Mounting	Horizontal Foot Mounted B3 (IM1001) Horizontal Flange Mounted B5 (IM3001) Horizontal Foot and Flange Mounted B35 (IM2001) Vertical Flange Mounted, Shaft down V1 (IM3011)				
APPLICATION	Environment Condition	Place: Shadow, Non-Hazardous, Ambient Temperature: -15~40°C Relative Humidity: Less Than 90%RH (Non-Condensation) Altitude: Less Than 1,000 Meters				
	Power Source Conditions	Voltage: ±10%, Frequency: ±5%, and 10% Max. of Combined Voltage and Frequency. But Frequency Variation Does Not Exceed ±5%				
	Method of Starting	Full Voltage Direct On Line or Y- Starting				
	Drive Method	Direct Coupling Belt Service, However, 2 Pole 22kW and Up Coupling Service is the Way.				
	Direction of Rotation	Bi-Directional				
CONSTRUCTION	Bearing	Bracket Mounting, Vacuum De-Gassed High Quality Open Bearings for Frame Nos. 180M~355L, Grease Pre-Packed Shielded Rolling Bearings for the Others				
	Lead Terminal	Cast Iron, Can be Rotated Each 90°C With Conduit Hole for Cable Entrance. The Terminal Box is Usually Placed on The Top of The Frame and The Cables Could be Let Out from Four Possible Directions.				
	Terminal Box	Solderless Lug Terminals				
	Stator Insulation	Class F Insulation System				
	Painting	Phenolic Rust Proof Base Plus Lacquer Surface Finished Painting in Pebble Gray Color. (Munsell 5Y 7.5/1; RAL 7032)				
	Bolt Thread	ISO Metric System				
PERFORMANCE	Test Procedure	IEC 60034-2-1 and Full Voltage Measuring Starting Performance				
	Winding Temperature Rise	Not to Exceed 80°C Rise by Resistance Method at S.F.1.0 Operation				
	Over Speed	120% Syn. R.P.M for 2 Min.				
	Over Torque	160% Rated Torque for 15 Sec.				
	Vibration (r.m.s.)	Vibration Grade	Shaft height/mm	80 ≤ H ≤ 132	132<H ≤ 280	H>280
			Mounting	Velocity mm/s	Velocity mm/s	Velocity mm/s
	A	Free suspension	1.6	2.2	2.8	

ELECTRICAL CHARACTERISTICS - AESV2W, AESU2W

TEFC, Class F, 40°C Ambient Temperature, IEC; Design N Continuous Duty, S. F. 1.0

380V/50Hz

OUTPUT		FULL LOAD rpm	FRAME NO.	EFFICIENCY			POWER FACTOR			CURRENT		TORQUE				ROTOR GD ² kg-m ²	NOISE SOUND POWER NO-LOAD dB(A)	APP. WEIGHT kg
kw	hp			FULL LOAD (%)	3/4 LOAD (%)	1/2 LOAD (%)	FULL LOAD (%)	3/4 LOAD (%)	1/2 LOAD (%)	FULL LOAD (A)	LOCKED ROTOR %FLT	FULL LOAD kg-m	LOCKED ROTOR %FLT	PULL UP %FLT	BREAK DOWN %FLT			
0.55	0.75	1430	80M	78.1	78.0	75.3	74.0	64.0	49.5	1.45	640	0.381	260	230	290	0.010	78	17
		930	80M	74.0	72.8	68.4	65.5	56.0	43.0	1.72	470	0.585	255	245	255	0.013	73	19.5
0.75	1	2865	80M	77.4	75.8	72.6	84.5	77.5	66.0	1.74	630	0.253	225	200	280	0.005	84	16.5
		1430	80M	79.6	79.5	76.3	74.5	65.0	51.0	1.92	705	0.508	330	290	340	0.011	78	18.5
		935	90S	75.9	75.8	73.5	73.0	63.5	50.5	2.06	480	0.776	170	170	220	0.018	73	24.5
1.1	1.5	2880	80M	79.6	80.3	79.1	85.5	78.5	66.5	2.46	775	0.378	255	200	305	0.007	84	19.5
		1440	90S	81.4	81.6	79.3	77.5	69.0	55.0	2.65	740	0.756	275	220	310	0.017	78	24.5
		935	90L	78.1	77.6	74.9	72.0	62.5	49.0	2.97	550	1.164	205	195	245	0.025	73	28.5
1.5	2	2845	90S	81.3	81.5	80.5	90.0	86.0	75.5	3.11	650	0.510	220	170	250	0.010	88	23
		1430	90L	82.8	83.8	82.7	82.5	75.5	62.5	3.34	740	1.015	265	190	280	0.022	82	27.5
		955	100L	79.8	79.1	77.3	71.5	63.5	50.0	3.99	550	1.520	165	130	230	0.044	74	36.4
2.2	3	2840	90L	83.2	84.0	83.0	89.5	85.0	75.5	4.49	750	0.767	265	230	300	0.013	88	27
		1455	100L	84.3	84.6	82.9	79.0	71.0	58.0	5.02	790	1.497	215	175	290	0.041	82	36.5
		945	112M	81.8	80.8	79.6	75.5	67.5	54.0	5.41	570	2.304	205	175	245	0.071	74	47
3	4	2890	100L	84.6	84.4	83.6	89.0	85.0	76.0	6.05	820	1.005	215	195	280	0.022	93	37.6
		1445	100L	85.5	85.4	84.3	80.5	73.0	60.0	6.62	795	2.009	210	155	275	0.050	86	40
		965	132S	83.3	81.8	79.2	72.5	63.5	50.0	7.55	585	3.009	195	185	270	0.097	82	57.5
4	5.5	2880	112M	85.8	86.5	85.5	91.0	88.0	81.0	7.78	890	1.384	235	230	335	0.042	93	47.5
		1455	112M	86.6	87.0	86.1	81.0	74.5	62.5	8.66	830	2.744	260	220	290	0.083	86	52
		960	132M	84.6	84.8	84.3	77.5	69.5	56.5	9.27	645	4.159	190	175	275	0.131	82	69
5.5	7.5	2925	132S	87.0	87.0	85.7	85.5	81.5	73.0	11.2	690	1.861	190	145	250	0.057	93	61.5
		1460	132S	87.7	87.8	86.3	81.5	75.0	63.0	11.7	775	3.729	255	190	320	0.113	86	67.5
		965	132M	86.0	85.3	82.9	72.0	63.5	50.0	13.5	690	5.641	210	160	280	0.171	82	77.5
7.5	10	2905	132S	88.1	88.6	87.6	84.5	80.5	71.5	15.3	660	2.499	190	165	250	0.066	97	67
		1465	132M	88.7	89.0	88.8	85.5	80.5	70.0	15.0	760	4.955	230	165	280	0.133	90	78
		960	160M	87.2	88.0	87.0	81.5	76.5	66.0	16.0	600	7.561	210	185	225	0.363	82	110
11	15	2940	160M	89.4	89.4	88.6	91.5	89.0	83.0	20.4	830	3.703	220	155	270	0.154	97	105
		1465	160M	89.8	90.1	89.5	88.5	85.0	77.5	21.0	730	7.432	205	155	255	0.297	90	110
		965	160L	88.7	89.2	88.6	81.5	76.0	65.0	23.1	685	11.280	245	230	270	0.558	85	140
15	20	2925	160M	90.3	90.3	90.2	93.0	91.5	88.0	27.1	765	4.963	230	155	240	0.192	100	120
		1470	160L	90.6	91.3	90.5	86.5	82.5	73.5	29.1	785	9.876	235	185	280	0.396	94	130
		975	180L	89.7	89.7	88.4	80.0	74.0	62.5	31.8	760	14.890	265	185	315	1.342	88	200
18.5	25	2945	160L	90.9	91.7	90.5	92.5	90.5	86.0	33.4	880	6.162	265	175	280	0.237	100	135
		1470	180M	91.2	92.0	91.0	85.0	82.5	75.5	36.3	630	12.340	180	175	275	0.654	94	180
		975	200L	90.4	91.1	90.2	82.5	79.0	70.5	37.7	610	18.610	200	185	220	1.604	88	250
22	30	2945	180M	91.3	91.5	91.0	90.0	88.0	82.5	40.7	800	7.394	220	175	280	0.283	100	175
		1475	180L	91.6	91.8	91.5	84.0	80.5	72.5	43.4	710	14.760	195	150	230	0.712	94	190
		975	200L	90.9	91.1	90.9	82.0	78.5	69.5	44.8	680	22.330	225	180	220	1.912	88	270
30	40	2955	200L	92.0	92.0	90.8	90.0	89.0	85.0	55.0	775	9.825	185	140	275	0.521	102	240
		1475	200L	92.3	92.3	91.7	87.5	84.5	77.5	56.4	790	19.680	205	185	245	1.220	98	255
		975	225M	91.7	92.0	91.5	86.0	83.5	76.0	57.8	615	29.780	175	155	210	2.442	91	325

ELECTRICAL CHARACTERISTICS - AESV2W, AESU2W

TEFC, Class F, 40°C Ambient Temperature, IEC; Design N Continuous Duty, S. F. 1.0

380V/50Hz

OUTPUT		FULL LOAD rpm	FRAME NO.	EFFICIENCY			POWER FACTOR			CURRENT		TORQUE				ROTOR GD ² kg-m ²	NOISE SOUND POWER NO-LOAD dB(A)	APP. WEIGHT kg
kW	hp			FULL LOAD (%)	3/4 LOAD (%)	1/2 LOAD (%)	FULL LOAD (%)	3/4 LOAD (%)	1/2 LOAD (%)	FULL LOAD (A)	LOCKED ROTOR %FLT	FULL LOAD kg-m	LOCKED ROTOR %FLT	PULL UP %FLT	BREAK DOWN %FLT			
37	50	2950	200L	92.5	92.0	91.3	90.5	89.5	85.5	67.2	845	12.30	205	140	240	0.663	102	270
		1480	225S	92.7	92.8	92.1	87.0	84.0	77.0	69.7	710	24.52	190	160	245	1.649	98	320
		980	250M	92.2	92.4	91.9	85.0	81.0	72.5	71.7	640	37.03	180	180	220	3.373	91	410
45	60	2965	225M	92.9	92.3	90.9	90.5	87.5	81.0	81.3	875	14.69	160	155	320	1.074	104	320
		1475	225M	93.1	93.3	92.9	86.5	83.5	76.5	84.9	690	29.53	190	160	270	1.731	100	330
		985	280S	92.7	92.6	92.0	84.0	81.0	73.5	87.8	650	44.52	140	115	230	6.400	94	580
55	75	2970	250M	93.2	93.4	93.1	91.0	90.0	85.5	98.5	735	18.33	135	115	295	1.211	104	405
		1485	250M	93.5	93.6	93.1	87.0	85.0	79.0	103.0	780	36.66	265	230	250	3.621	100	450
		985	280M	93.1	93.0	92.5	83.5	81.5	74.0	107.0	650	55.27	145	120	230	7.600	94	660
75	100	2965	280S	93.8	93.8	93.2	90.5	89.5	85.5	134.0	700	24.65	160	135	260	2.000	106	565
		1480	280S	94.0	94.0	93.5	87.5	86.0	78.5	139.0	690	49.25	170	145	260	5.200	103	620
		985	315S	93.7	93.6	93.1	83.5	81.0	73.0	146.0	650	74.20	150	125	220	12.400	98	870
90	125	2965	280M	94.1	94.0	93.5	90.5	89.5	86.0	161.0	700	30.60	165	140	260	2.400	106	615
		1480	280M	94.2	94.2	93.6	87.5	86.0	78.0	166.0	690	59.26	180	155	260	6.000	103	690
		985	315M	94.0	94.0	93.4	84.0	81.5	74.0	173.0	650	89.04	155	130	220	14.000	98	932
110	150	2965	315S	94.3	94.3	93.7	89.5	88.5	85.0	198.0	700	36.72	150	125	250	4.400	106	850
		1480	315S	94.5	94.5	93.8	88.5	87.0	82.0	200.0	690	72.43	160	135	240	8.800	103	960
		985	315L	94.3	94.2	93.6	85.0	82.0	74.5	209.0	650	108.80	150	125	220	18.800	98	1120
132	175	2965	315M	94.6	94.6	93.8	90.0	89.0	86.0	236.0	690	42.84	145	120	240	4.800	109	922
		1480	315M	94.7	94.7	94.0	88.5	87.5	82.5	239.0	675	86.80	160	135	240	10.000	106	1000
		985	315L	94.6	94.5	93.8	85.0	83.0	75.5	249.0	650	130.60	150	125	220	20.400	102	1250
160	215	2970	315L	94.8	94.8	94.0	89.0	88.0	84.5	288.0	690	52.55	150	125	240	5.200	109	980
		1485	315L	94.9	94.9	94.1	88.5	87.0	82.5	289.0	670	105.20	140	115	230	11.600	106	1090
		985	315L	94.8	94.8	94.0	84.5	82.0	74.0	304.0	650	158.30	145	120	230	23.200	102	1280
		985	355M	94.8	94.8	94.0	84.5	82.0	74.0	303.0	650	158.30	145	120	230	31.600	102	1700
200	270	2970	315L	95.0	95.0	94.1	90.5	90.0	88.0	353.0	690	65.99	150	125	240	6.400	109	1150
		1485	315L	95.1	95.0	94.2	88.5	87.0	83.0	361.0	670	131.50	150	125	230	14.400	106	1280
		985	315D	95.0	94.9	94.1	85.0	83.0	76.0	376.0	650	197.90	155	130	230	38.800	102	1665
		985	355M	95.0	94.9	94.1	85.0	83.0	76.0	376.0	650	197.90	155	130	230	40.800	102	1900
250	335	2975	315D	95.0	95.0	94.2	91.0	90.5	88.5	439.0	690	81.74	140	115	240	10.000	111	1600
		2975	355M	95.0	95.0	94.2	91.0	90.5	88.5	439.0	690	81.74	140	115	240	10.800	111	1700
		1485	315D	95.1	95.1	94.3	89.0	88.0	84.0	449.0	680	164.00	140	115	230	25.200	108	1650
		1485	355M	95.1	95.1	94.3	89.0	88.0	84.0	449.0	680	164.00	140	115	230	27.200	108	1750
		985	315D	95.0	95.0	94.2	85.0	83.5	77.0	470.0	650	247.30	150	125	230	46.400	105	1840
		985	355L	95.0	95.0	94.2	85.0	83.5	77.0	470.0	650	247.30	150	125	230	46.000	105	2080
315	420	2975	315D	95.0	95.0	94.2	91.5	91.0	89.0	551.0	700	103.20	140	115	240	12.000	111	1760
		2975	355L	95.0	95.0	94.2	91.5	91.0	89.0	551.0	700	103.20	140	115	240	14.000	111	1870
		1485	315D	95.1	95.1	94.3	89.0	88.0	84.5	566.0	675	206.70	140	115	230	31.200	108	1860
		1485	355L	95.1	95.1	94.3	89.0	88.0	84.5	565.0	675	206.70	140	115	230	34.400	108	1960

NOTE:* The above are typical values based on test according to IEC60034-2-1:2007

* Tolerance according to IEC60034-1

* Breakdown & Locked rotor torques are show as average expected voltages

* Efficiency, power factor, speed and torque are the same for other voltages.

Current values vary inversely with voltage.

* F#315D only suitable for IM B3

* Noise: sound power level at no-load, dB(A)/1M, tolerance +3 dB(A)

* Data subject to change without notice

DIMENSION

Horizontal Foot Mounting B3 (IM 1001)
 TYPE: AESV2W, AESV3W

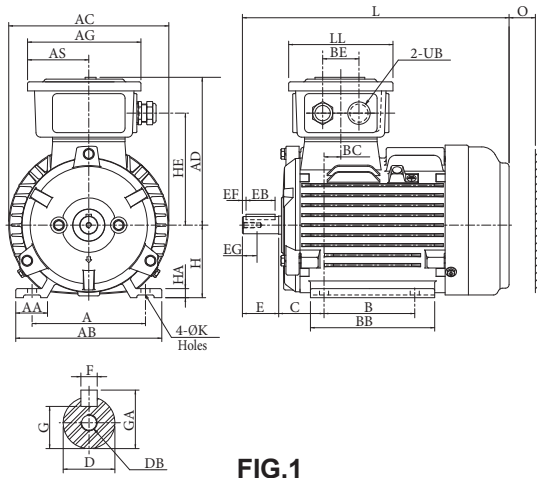


FIG.1

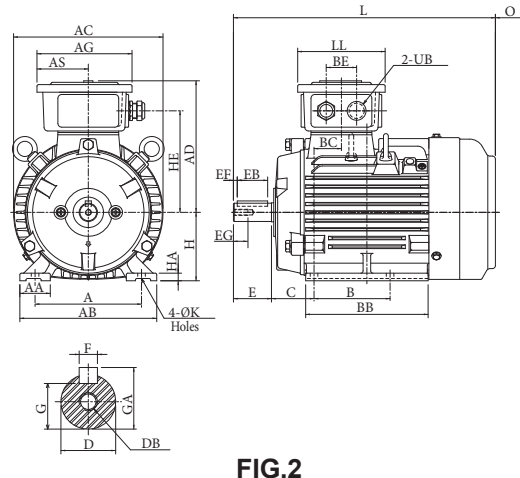


FIG.2

Output (kW)			FRAME SIZE	FIG. NO.	A	AA	AB	AC	AD	AG	AS	B	B'	BA	BA'	BB	BC	BE	C	H
2P	4P	6P																		
0.75	0.55	0.37	80M	1	125	34.5	161	177	163	125	67.5	100	--	--	--	137	18.5	40	50	80
1.1	0.75	0.55																		
1.5	1.1	0.75	90S	2	140	40	180	197	173	125	67.5	100	--	--	--	161	36	40	56	90
2.2	1.5	1.1	90L		140	40	180	197	173	125	67.5	125	--	--	--	186	36	40	56	90
3	2.2	1.5	100L	2	160	40	200	219	193	147	78.5	140	--	--	--	181	21	50	63	100
--	3	--			190	45	235	235	200.5	147	78.5	140	--	--	--	186	28	50	70	112
4	4	2.2	112M																	
5.5	5.5	3	132S	3	216	57	263	273	218	147	78.5	140	--	--	--	184	6	50	89	132
7.5	--	--			216	57	263	273	218	147	78.5	178	--	--	--	222	6	50	89	132
--	7.5	4	132M																	
--	--	5.5																		
11	11	7.5	160M	4	254	60	300	317	273	193	91.5	210	--	57.5	57.5	256	47	89	108	160
15	--	--			254	60	300	317	273	193	91.5	254	--	57.5	101.5	300	47	89	108	160
18.5	15	11	160L	4	279	65	330	354	299	193	91.5	241	--	62	62	292	39	89	121	180
22	18.5	--	180M		279	65	330	354	299	193	91.5	279	241	62	100	330	39	89	121	180
--	22	15	180L																	
30	30	18.5	200L	4	318	70	378	398	332	231	110.5	305	--	76	76	365	60	106	133	200
37	--	22			356	75	431	449	358	231	110.5	286	--	90	90	350	37.5	106	149	225
--	37	--	225SC																	
45	--	--	225MA	4	356	75	431	449	358	231	110.5	311	286	90	115	375	37.5	106	149	225
--	45	30	225MC		356	75	431	449	358	231	110.5	311	286	90	115	375	37.5	106	149	225
55	--	--	250MA	5	406	85	480	499	400	255	122.5	349	--	105	105	425	57.5	119	168	250
--	55	37	250MC		406	85	480	499	400	255	122.5	349	--	105	105	425	57.5	119	168	250

- Note: 1. Tolerance of shaft end diameter D: Among $\text{§ } 19\sim \text{§ } 28:j6$
 2. Tolerance of shaft end diameter D: $\text{§ } 38:k6$
 3. Tolerance of shaft end diameter D: Among $\text{§ } 42\sim \text{§ } 48:k6$
 4. Tolerance of shaft end diameter D: Among $\text{§ } 55\sim \text{§ } 65:m6$
 5. Tolerance of shaft center high H: +0, -0.5.
 6. Bearing No. in() is for 2P.

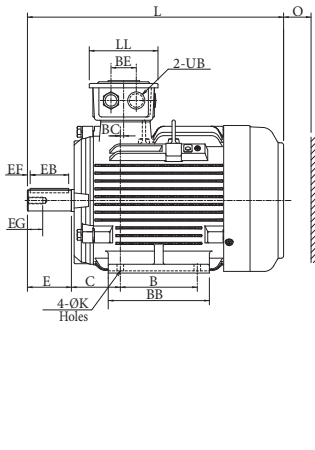


FIG.3

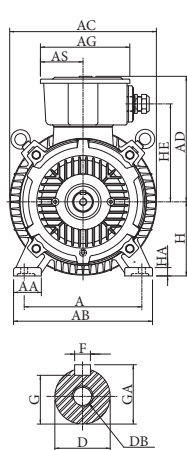


FIG.4

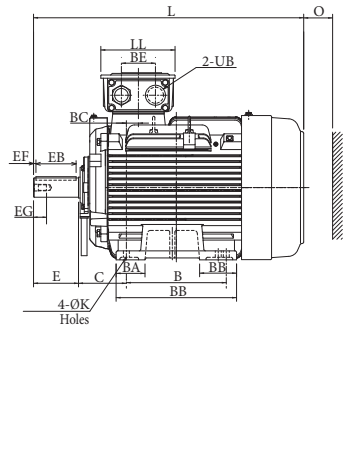
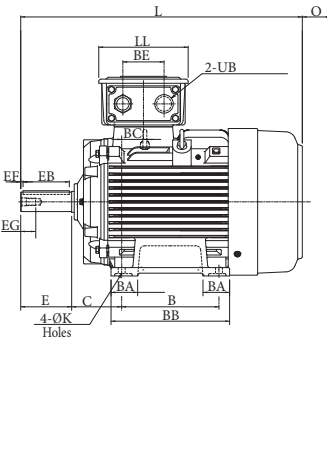


FIG.5

Dimension in mm

HA	HE	K	L	LL	O	UB	SHAFT EXTENSION									BEARING	
							D	E	EB	EF	EG	F	G	GA	DB	DRIVE END	OPPOSITE DRIVE END
10	123.5	10	293.0	115	40	M20x1.5	19	40	32	4	16	6	15.5	21.5	M6	6204ZZ	6204ZZ
10	133.5	10	344.5	115	40	M20x1.5	24	50	40	5	19	8	20	27	M8	6205ZZ	6205ZZ
10	133.5	10	369.5	115	40	M20x1.5	24	50	40	5	19	8	20	27	M8	6205ZZ	6205ZZ
12	157	12	392.0	125	50	M25x1.5	28	60	50	5	22	8	24	31	M10	6206ZZ	6206ZZ
13	164.5	12	412.5	125	50	M25x1.5	28	60	50	5	22	8	24	31	M10	6306ZZ	6306ZZ
16	182	12	466	125	50	M25x1.5	38	80	70	5	28	10	33	41	M12	6308ZZ	6306ZZ
16	182	12	504	125	50	M25x1.5	38	80	70	5	28	10	33	41	M12	6308ZZ	6306ZZ
18	215	14.5	608	193	60	M32x1.5	42	110	100	5	36	12	37	45	M16	6309ZZ	6307ZZ
18	215	14.5	652	193	60	M32x1.5	42	110	100	5	36	12	37	45	M16	6309ZZ	6307ZZ
20	241	14.5	672	193	70	M32x1.5	48	110	100	5	36	14	42.5	51.5	M16	(6311C3) 6311	(6310C3) 6310
20	241	14.5	710	193	70	M32x1.5	48	110	100	5	36	14	42.5	51.5	M16		
24	262	18.5	770	231	80	M50x1.5	55	110	100	5	42	16	49	59	M20	(6312C3) 6312	(6212C3) 6212
28	288	18.5	816	231	90	M50x1.5	60	140	125	7.5	42	18	53	64	M20	(6312C3) 6313	(6212C3) 6313
28	288	18.5	811	231	90	M50x1.5	55	110	100	5	42	16	49	59	M20		
28	288	18.5	841	231	90	M50x1.5	60	140	125	7.5	42	18	53	64	M20		
30	322	24	921	255	105	M63x1.5	60	140	125	7.5	42	18	53	64	M20	(6313C3) 6315	(6313C3) 6313
30	322	24	921	255	105	M63x1.5	65	140	125	7.5	42	18	58	69	M20		

DIMENSION

Horizontal Foot Mounting B3 (IM1001)
 TYPE: AESV2W, AESV3W

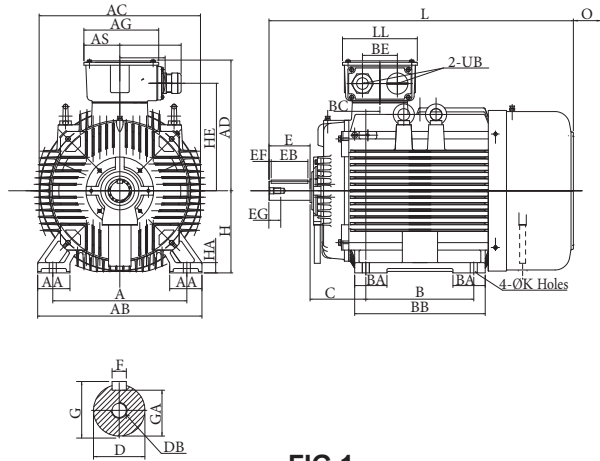


FIG.1

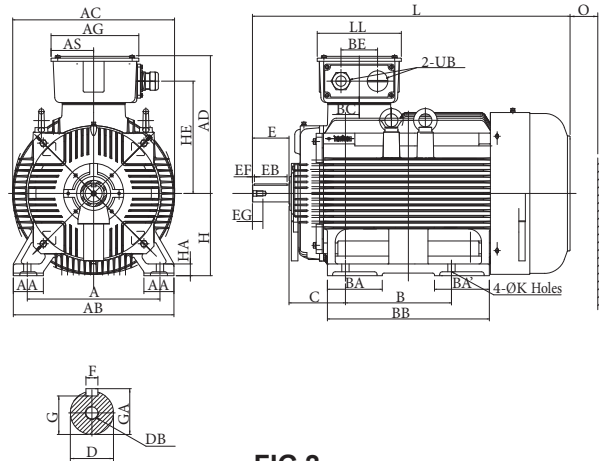


FIG.2

Output (kW)			FRAME SIZE	FIG. NO.	A	AA	AB	AC	AD	AG	AS	B	B'	BA	BA'	BB	BC	BE	C	H
2P	4P	6P																		
75	--	--	280SA	1	457	110	560	550	446	255	122.5	368	--	110	110	445	48	119	190	280
--	75	45	280SB		457	110	560	550	446	255	122.5	368	--	110	110	445	48	119	190	280
90	--	--	280MA		457	110	560	550	446	255	122.5	419	--	130	137	495	48	119	190	280
--	90	55	280MB		457	110	560	550	446	255	122.5	419	--	130	137	495	48	119	190	280
110	--	--	315SA	2	508	115	615	620	527.5	336	163	406	--	210	210	620	53	140	216	315
--	110	75	315SB		508	115	615	620	527.5	336	163	406	--	210	210	620	53	140	216	315
132 (160)	--	--	315MA		508	115	615	620	527.5	336	163	457	--	240	240	670	53	140	216	315
--	132 (160)	90 (110)	315MB		508	115	615	620	527.5	336	163	457	--	240	240	670	53	140	216	315
160 200	--	--	315LA		508	130	630	620	527.5	336	163	508	--	230	230	770	53	140	216	315
--	160 200	110 (160)	315LB		508	130	630	620	527.5	336	163	508	--	230	230	770	53	140	216	315
250 315	--	--	315DA	3	508	150	650	682	590	412	189	900	--	180	250	1060	68	180	216	315
--	250 315	200 250	315DB		508	150	650	682	590	412	189	900	--	180	250	1060	68	180	216	315
250	--	--	355MA	4	610	150	750	810	645	412	189	--	560	330	330	910	48	180	254	355
--	250	200	355MB		610	150	750	810	645	412	189	--	560	330	330	910	48	180	254	355
315	--	--	355LA		610	150	750	810	645	412	189	630	--	330	330	910	48	180	254	355
--	315	250	355LB		610	150	750	810	645	412	189	630	--	330	330	910	48	180	254	355

- Note:**
1. Tolerance of shaft end diameter D: m6
 2. Tolerance of shaft center height H: +0, -1
 3. Tolerance of Key Width F: h9

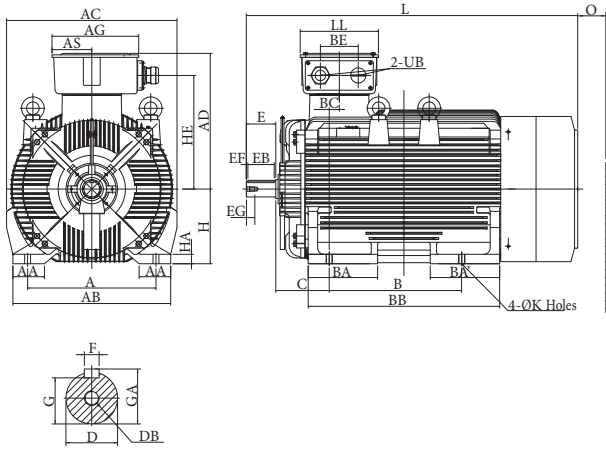


FIG.3

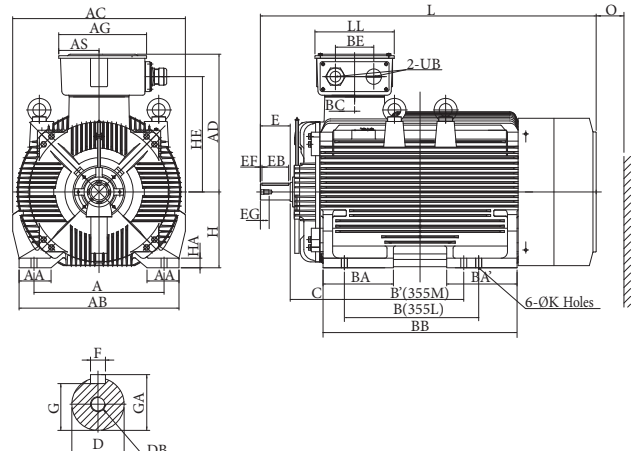


FIG.4

Dimension in mm

HA	HE	K	L	LL	O	UB	SHAFT EXTENSION									BEARING	
							D	E	EB	EF	EG	F	G	GA	DB	DRIVE END	OPPOSITE DRIVE END
35	367	24	1037.5	255	140	M63x1.5	65	140	125	7.5	40	18	58	69	M20	6316C3	6314C3
35	367	24	1037.5	255	140	M63x1.5	75	140	125	7.5	40	20	67.5	79.5	M20	6318C3	6316C3
35	367	24	1087.5	255	140	M63x1.5	65	140	125	7.5	40	18	58	69	M20	6316C3	6314C3
35	367	24	1087.5	255	140	M63x1.5	75	140	125	7.5	40	20	67.5	79.5	M20	6318C3	6316C3
35	430	28	1216	322	180	M63x1.5	65	140	125	7.5	40	18	58	69	M20	6316C3	6314C3
35	430	28	1246	322	180	M63x1.5	80	170	160	5	40	22	71	85	M20	6320C3	6316C3
35	430	28	1266	322	180	M63x1.5	65	140	125	7.5	40	18	58	69	M20	6316C3	6314C3
35	430	28	1296	322	180	M63x1.5	80	170	160	5	40	22	71	85	M20	6320C3	6316C3
45	430	28	1366	322	180	M63x1.5	65	140	125	7.5	40	18	58	69	M20	6316C3	6314C3
45	430	28	1396	322	180	M63x1.5	80	170	160	5	40	22	71	85	M20	6320C3	6316C3
45	485	28	1674	372	200	M72x2	75	140	125	7.5	40	20	67.5	79.5	M20	6316C3	6316C3
45	485	28	1704	372	200	M72x2	95	170	160	5	48	25	86	100	M24	6322C3	6322C3
45	540	28	1575	372	230	M72x2	75	140	125	7.5	40	20	67.5	79.5	M20	6318C3	6318C3
45	540	28	1605	372	230	M72x2	95	170	160	5	48	25	86	100	M24	6322C3	6322C3
45	540	28	1575	372	230	M72x2	75	140	125	7.5	40	20	67.5	79.5	M20	6318C3	6318C3
45	540	28	1605	372	230	M72x2	95	170	160	5	48	25	86	100	M24	6322C3	6322C3

DIMENSION

Horizontal Flange Mounted B5 (IM 3001)
Vertical Flange Mounted, Shaft Down V1 (IM 3011)
 TYPE: AESU2W, AESU3W

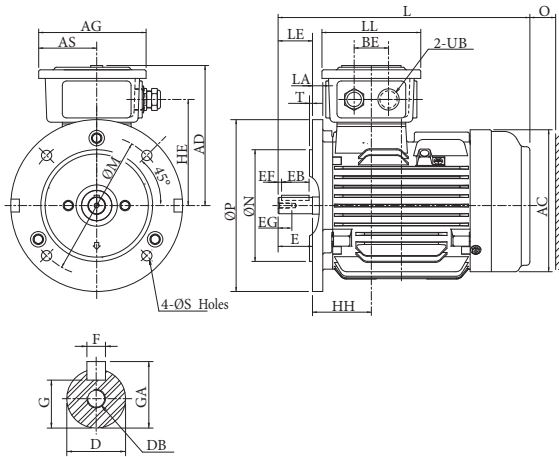


FIG.1

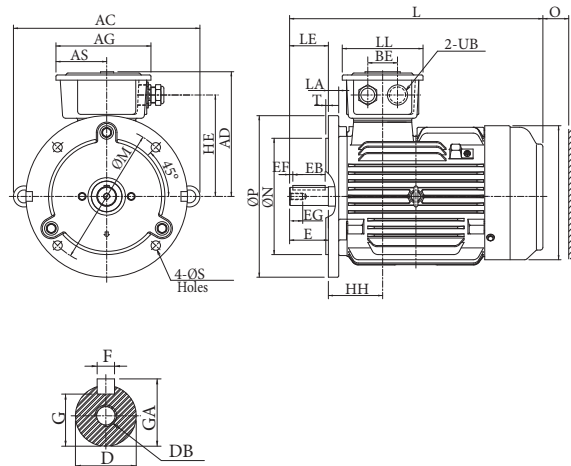


FIG.2

Output (kW)			FRAME SIZE	FIG. NO.	FLANGE DIMENSION							AC	AD	AG	AS	BE	HE	HH	
2P	4P	6P			LA	LE	M	N	P	S	T								
0.75	0.55	0.37	80M	1	12	40	165	130	200	12	3.5	177	163	125	67.5	40	123.5	68.5	
1.1	0.75	0.55			12	50	165	130	200	12	3.5	271	173	125	67.5	40	133.5	92	
1.5	1.1	0.75	90S	2	12	50	165	130	200	12	3.5	271	173	125	67.5	40	133.5	92	
2.2	1.5	1.1	90L		12	50	165	130	200	12	3.5	271	173	125	67.5	40	133.5	92	
3	2.2	1.5	100L		16	60	215	180	250	14.5	4	288.5	193	147	78.5	50	157	84	
4	4	2.2	112M	3	15	60	215	180	250	14.5	4	306.5	200.5	147	78.5	50	164.5	98	
5.5	5.5	3	132S		16	80	265	230	300	14.5	4	360	218	147	78.5	50	182	95	
7.5	--	--	132M	3	16	80	265	230	300	14.5	4	360	218	147	78.5	50	182	95	
--	7.5	4			16	80	265	230	300	14.5	4	360	218	147	78.5	50	182	95	
--	--	5.5	160M	4	15	110	300	250	350	18.5	5	427	273	193	91.5	89	215	155	
11	11	7.5			15	110	300	250	350	18.5	5	427	273	193	91.5	89	215	155	
15	--	--			160L	15	110	300	250	350	18.5	5	427	273	193	91.5	89	215	155
18.5	15	11			180M	15	110	300	250	350	18.5	5	476	299	193	91.5	89	241	160
22	18.5	--			180L	15	110	300	250	350	18.5	5	476	299	193	91.5	89	241	160
--	22	15	200L	4	15	110	300	250	350	18.5	5	476	299	193	91.5	89	241	160	
30	30	18.5			17	110	350	300	400	18.5	5	524	332	231	110.5	106	262	193	
37	30	22																	

- Note:**
1. Tolerance of shaft end diameter D: Among § 19~ § 28:j6
 2. Tolerance of shaft end diameter D: § 38:k6
 3. Tolerance of shaft end diameter D: Among § 42~ § 48:k6
 4. Tolerance of N: j6
 5. Bearing No. in() is for 2P.

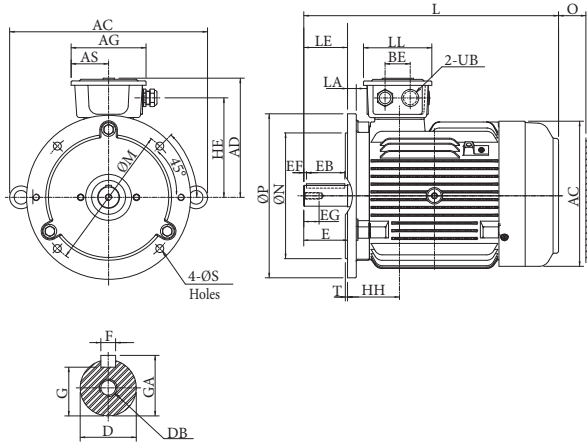


FIG.3

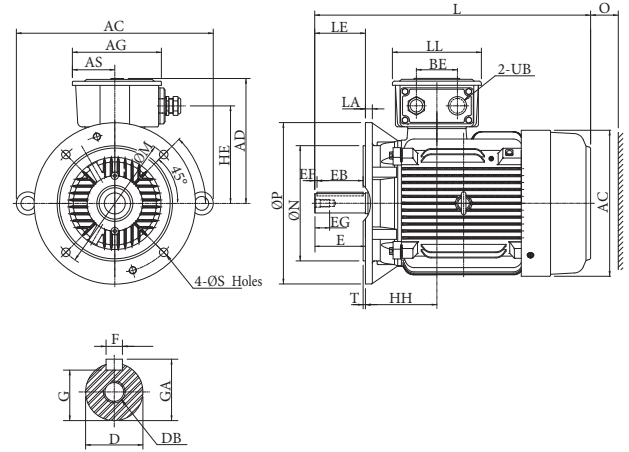


FIG.4

Dimension in mm

L	LL	O	UB	SHAFT EXTENSION									BEARING	
				D	E	EB	EF	EG	F	G	GA	DB	DRIVE END	OPPOSITE DRIVE END
293	115	40	M20x1.5	19	40	32	4	16	6	15.5	21.5	M6	6204ZZ	6204ZZ
344.5	115	40	M20x1.5	24	50	40	5	19	8	20	27	M8	6205ZZ	6205ZZ
369.5	115	40	M20x1.5	24	50	40	5	19	8	20	27	M8	6205ZZ	6205ZZ
392	125	50	M25x1.5	28	60	50	5	22	8	24	31	M10	6206ZZ	6206ZZ
412.5	125	50	M25x1.5	28	60	50	5	22	8	24	31	M10	6306ZZ	6306ZZ
466	125	50	M25x1.5	38	80	70	5	28	10	33	41	M12	6308ZZ	6306ZZ
504	125	50	M25x1.5	38	80	70	5	28	10	33	41	M12	6308ZZ	6306ZZ
608	193	60	M32x1.5	42	110	100	5	36	12	37	45	M16	6309ZZ	6307ZZ
652	193	60	M32x1.5	42	110	100	5	36	12	37	45	M16	6309ZZ	6307ZZ
672	193	70	M32x1.5	48	110	100	5	36	14	42.5	51.5	M16	(6311C3)	(6310C3)
710	193	70	M32x1.5	48	110	100	5	36	14	42.5	51.5	M16	6311	6310
770	231	80	M50x1.5	55	110	100	5	42	16	49	59	M20	(6312C3) 6312	(6212C3) 6212

DIMENSION

Horizontal Flange Mounted B5 (IM 3001)
Vertical Flange Mounted, Shaft Down V1 (IM 3011)
TYPE: AESU2W, AESU3W

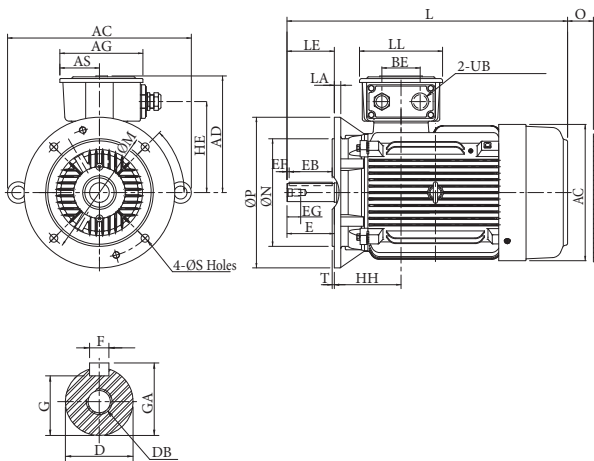


FIG.1

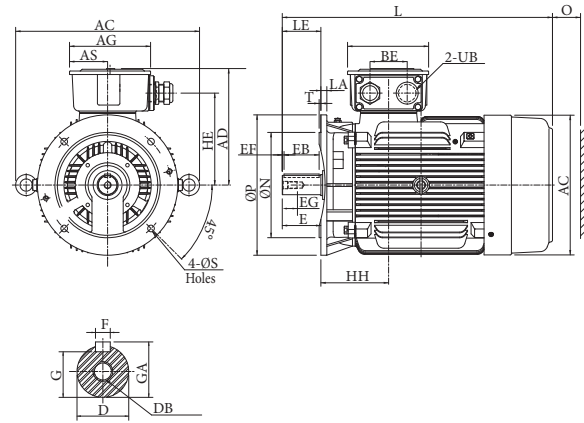


FIG.2

Output (kW)			FRAME SIZE	FIG. NO.	FLANGE DIMENSION							AC	AD	AG	AS	BE	HE	HH
2P	4P	6P			LA	LE	M	N	P	S	T							
--	37	--	225SC	1	20	140	400	350	450	18.5	5	574	358	231	110.5	106	288	186.5
45	--	--	225MA		20	110	400	350	450	18.5	5	574	358	231	110.5	106	288	186.5
--	45	30	225MC		20	140	400	350	450	18.5	5	574	358	231	110.5	106	288	186.5
55	--	--	250MA	2	22	140	500	450	550	18.5	5	642	400	255	122.5	119	322	225.5
--	55	37	250MC		22	140	500	450	550	18.5	5	642	400	255	122.5	119	322	225.5
75	--	--	280SA	3	22	140	500	450	550	18.5	5	717	446	255	122.5	119	367	238
--	75	45	280SB		22	140	500	450	550	18.5	5	717	446	255	122.5	119	367	238
90	--	--	280MA		22	140	500	450	550	18.5	5	717	446	255	122.5	119	367	238
--	90	55	280MB		22	140	500	450	550	18.5	5	717	446	255	122.5	119	367	238
110	--	--	315SA	4	25	140	600	550	660	24	6	660	527	336	163	140	430	269
--	110	75	315SB		25	170	600	550	660	24	6	660	527	336	163	140	430	269
132 (160)	--	--	315MA		25	140	600	550	660	24	6	660	527	336	163	140	430	269
--	132 (160)	90 (110)	315MB		25	170	600	550	660	24	6	660	527	336	163	140	430	269

- Note:**
1. Tolerance of shaft end diameter D: m6
 2. Tolerance of N: j6
 3. Tolerance of Key Width F: h9
 4. Bearing No. in () is for 2P, marked "*" is for Vertical mounting
 5. Output in the Brackets for Optional Matching

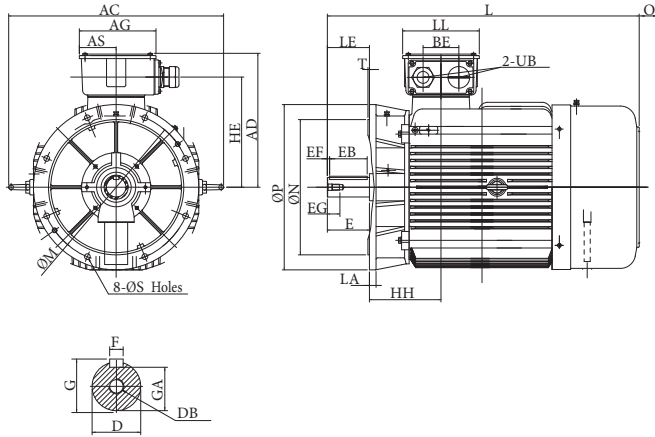


FIG.3

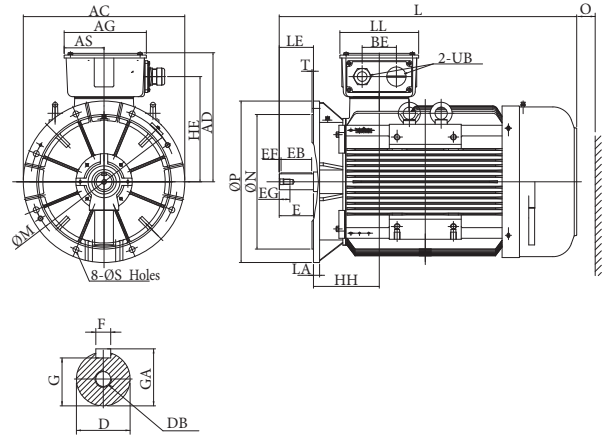


FIG.4

Dimension in mm

L	LL	O	UB	SHAFT EXTENSION									BEARING	
				D	E	EB	EF	EG	F	G	GA	DB	DRIVE END	OPPOSITE DRIVE END
816	231	90	M50x1.5	60	140	125	7.5	42	18	53	64	M20	(6312C3) 6313	(6212C3) 6213
811	231	90	M50x1.5	55	110	100	5	42	16	49	59	M20		
841	231	90	M50x1.5	60	140	125	7.5	42	18	53	64	M20		
921	255	105	M63x1.5	60	140	125	7.5	42	18	53	64	M20	(6313C3) 6315	(6313C3) 6313
921	255	105	M63x1.5	65	140	125	7.5	42	18	58	69	M20		
1037.5	255	140	M63x1.5	65	140	125	7.5	40	18	58	69	M20	6316C3	6314C3
1037.5	255	140	M63x1.5	75	140	125	7.5	40	20	67.5	79.5	M20	6318C3	6316C3
1087.5	255	140	M63x1.5	65	140	125	7.5	40	18	58	69	M20	6316C3	6314C3
1087.5	255	140	M63x1.5	75	140	125	7.5	40	20	67.5	79.5	M20	6318C3	6316C3
1216	322	180	M63x1.5	65	140	125	7.5	40	18	58	69	M20	6316C3 *7316C3	6314C3
1246	322	180	M63x1.5	80	170	160	5	40	22	71	85	M20	6320C3	6316C3
1266	322	180	M63x1.5	65	140	125	7.5	40	18	58	69	M20	6316C3 *7316C3	6314C3
1296	322	180	M63x1.5	80	170	160	5	40	22	71	85	M20	6320C3	6316C3

DIMENSION

Foot and Flange Mounting B35 (IM 2001)

TYPE: AESV2W, AESV3W

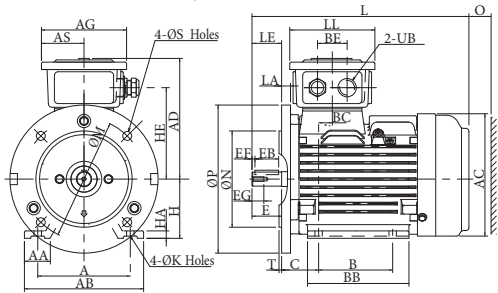


FIG.1

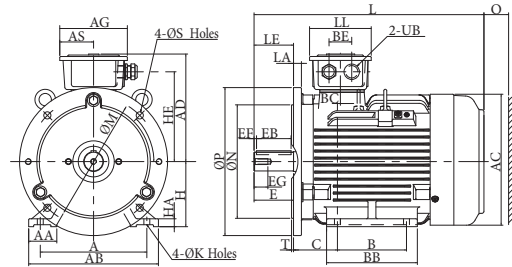


FIG.2

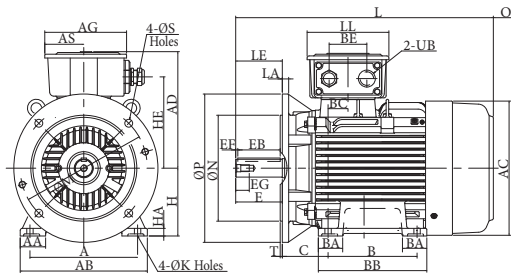


FIG.3



Output (kW)			FRAME SIZE	FIG. NO.	FLANGE DIMENSION								A	AA	AB	AC	AD	AG	AS	B	B'	BA	BA'	BB
2P	4P	6P			LA	LE	M	N	P	S	T													
0.75	0.55	0.37	80M	1	12	40	165	130	200	12	3.5	125	34.5	161	177	163	125	67.5	100	--	--	--	137	
1.1	0.75	0.55			12	50	165	130	200	12	3.5	140	40.0	180	197	173	125	67.5	100	--	--	--	161	
1.5	1.1	0.75	90S	2	12	50	165	130	200	12	3.5	140	40.0	180	197	173	125	67.5	100	--	--	--	161	
2.2	1.5	1.1	90L		12	50	165	130	200	12	3.5	140	40.0	180	197	173	125	67.5	125	--	--	--	186	
3	2.2	1.5	100L	2	16	60	215	180	250	14.5	4	160	40.0	200	219	193	147	78.5	140	--	--	--	181	
--	3	--			16	60	215	180	250	14.5	4	190	45.0	235	235	200.5	147	78.5	140	--	--	--	186	
4	4	2.2	112M	3	15	60	215	180	250	14.5	4	190	45.0	235	235	200.5	147	78.5	140	--	--	--	186	
5.5	5.5	3	132S		16	80	265	230	300	14.5	4	216	57.0	263	273	218	147	78.5	140	--	--	--	184	
--	7.5	4	132M	3	16	80	265	230	300	14.5	4	216	57.0	263	273	218	147	78.5	178	--	--	--	222	
--	--	5.5			16	80	265	230	300	14.5	4	216	57.0	263	273	218	147	78.5	178	--	--	--	222	
11	11	7.5	160M	4	15	110	300	250	350	18.5	5	254	60.0	300	317	273	193	91.5	210	--	57.5	57.5	256	
15	--	--	160L		15	110	300	250	350	18.5	5	254	60.0	300	317	273	193	91.5	254	--	57.5	101.5	300	
18.5	15	11	180M		15	110	300	250	350	18.5	5	279	65.0	330	354	299	193	91.5	241	--	62	62	292	
22	18.5	--	180L		15	110	300	250	350	18.5	5	279	65.0	330	354	299	193	91.5	279	241	62	100	330	
--	22	15	200L		17	110	350	300	400	18.5	5	318	70.0	378	398	332	231	110.5	305	--	76	76	365	
30	30	18.5	225SC	5	20	140	400	350	450	18.5	5	356	75.0	431	449	358	231	110.5	286	--	90	90	350	
--	37	--			225MA	20	110	400	350	450	18.5	5	356	75.0	431	449	358	231	110.5	311	286	90	115	375
--	45	30	225MC	6	20	140	400	350	450	18.5	5	356	75.0	431	449	358	231	110.5	311	286	90	115	375	
55	--	--	250MA		22	140	500	450	550	18.5	5	406	85.0	480	499	400	255	122.5	349	--	105	105	425	
--	55	37	250MC	22	140	500	450	550	18.5	5	406	85.0	480	499	400	255	122.5	349	--	105	105	425		

- Note:**
1. Tolerance of shaft end diameter D: Among $\text{§ } 19\sim \text{§ } 28$:j6
 2. Tolerance of shaft end diameter D: $\text{§ } 38$:k6
 3. Tolerance of shaft end diameter D: Among $\text{§ } 42\sim \text{§ } 48$:k6
 4. Tolerance of shaft end diameter D: Among $\text{§ } 55\sim \text{§ } 65$:m6

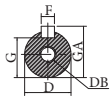
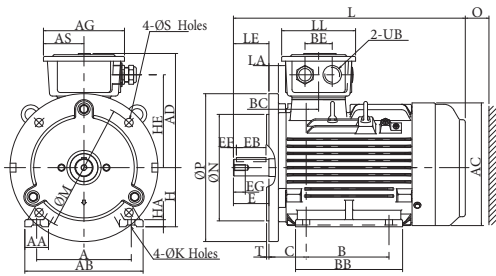


FIG.4

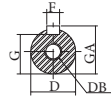
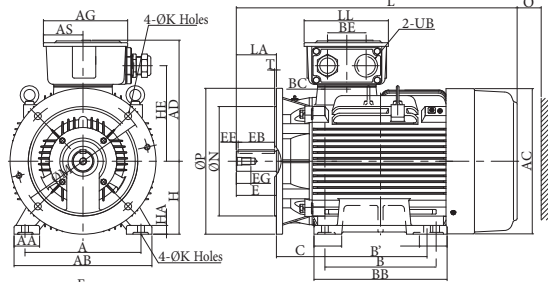


FIG.6

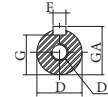
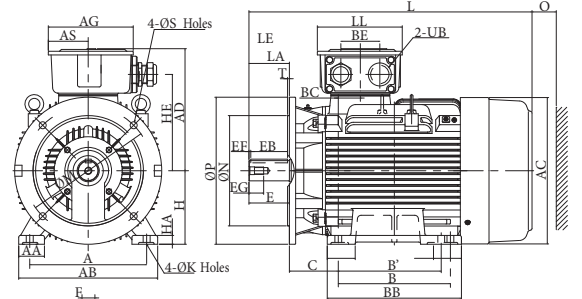


FIG.5

Dimension in mm

BC	BE	C	H	HA	HE	K	L	LL	O	UB	SHAFT EXTENSION								BEARING		
											D	E	EB	EF	EG	F	G	GA	DB	DRIVE END	OPPOSITE DRIVE END
18.5	40	50	80	10	123.5	10	293	115	40	M20x1.5	19	40	32	4	16	6	15.5	21.5	M6	6204ZZ	6204ZZ
36	40	56	90	10	133.5	10	344.5	115	40	M20x1.5	24	50	40	5	19	8	20	27	M8	6205ZZ	6205ZZ
36	40	56	90	10	133.5	10	369.5	115	40	M20x1.5	24	50	40	5	19	8	20	27	M8	6205ZZ	6205ZZ
21	50	63	100	12	157	12	392.	125	50	M25x1.5	28	60	50	5	22	8	24	31	M10	6206ZZ	6206ZZ
28	50	70	112	13	164.5	12	412.5	125	50	M25x1.5	28	60	50	5	22	8	24	31	M10	6306ZZ	6306ZZ
6	50	89	132	16	182	12	466	125	50	M25x1.5	38	80	70	5	28	10	33	41	M12	6308ZZ	6306ZZ
6	50	89	132	16	182	12	504	125	50	M25x1.5	38	80	70	5	28	10	33	41	M12	6308ZZ	6306ZZ
38	89	108	160	18	215	14.5	608	193	60	M32x1.5	42	110	100	5	36	12	37	45	M16	6309ZZ	6307ZZ
38	89	108	160	18	215	14.5	652	193	60	M32x1.5	42	110	100	5	36	12	37	45	M16	6309ZZ	6307ZZ
39	89	121	180	20	241	14.5	672	193	70	M32x1.5	48	110	100	5	36	14	42.5	51.5	M16	(6311C3)	(6310C3)
39	89	121	180	20	241	14.5	710	193	70	M32x1.5	48	110	100	5	36	14	42.5	51.5	M16	6311	6310
60	106	133	200	24	262	18.5	770	231	80	M50x1.5	55	110	100	5	42	16	49	59	M20	(6312C3) 6312	(6212C3) 6212
37.5	106	149	225	28	288	18.5	816	231	90	M50x1.5	60	140	125	7.5	42	18	53	64	M20	(6312C3)	(6212C3)
37.5	106	149	225	28	288	18.5	811	231	90	M50x1.5	55	110	100	5	42	16	49	59	M20	6313	6213
37.5	106	149	225	28	288	18.5	841	231	90	M50x1.5	60	140	125	7.5	42	18	53	64	M20		
57.5	119	168	250	30	322	24	921	255	105	M63x1.5	60	140	125	7.5	42	18	53	64	M20	(6313C3)	(6313C3)
57.5	119	168	250	30	322	24	921	255	105	M63x1.5	65	140	125	7.5	42	18	58	69	M20	6315	6313

Note: 5. Tolerance of shaft center high H:+0, -0.5.

6. Tolerance of N: j6

7. Bearing No. in() is for 2P.

DIMENSION

Foot and Flange Mounting B35 (IM 2001)

TYPE: AESV2W, AESV3W

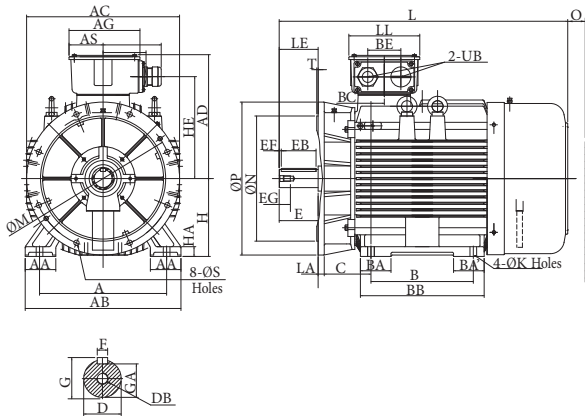


FIG.1

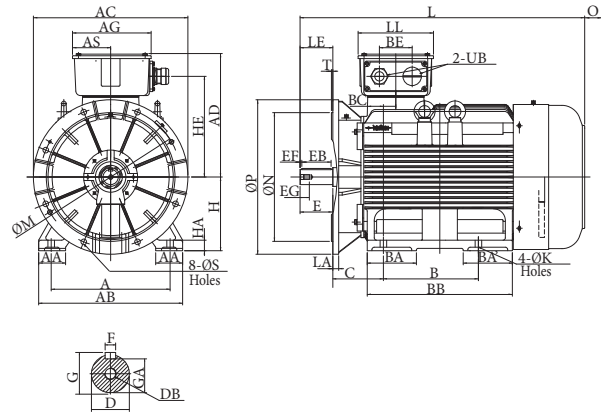


FIG.2

Output (kW)			FRAME SIZE	FIG. NO.	FLANGE DIMENSION																		
2P	4P	6P			LA	LE	M	N	P	S	T	A	AA	AB	AC	AD	AG	AS	B	B'	BA	BA'	BB
75	--	--	280SA	1	22	140	500	450	550	18.5	5	457	110	560	550	446	255	122.5	368	--	110	110	445
--	75	45	280SB		22	140	500	450	550	18.5	5	457	110	560	550	446	255	122.5	368	--	110	110	445
90	--	--	280MA		22	140	500	450	550	18.5	5	457	110	560	550	446	255	122.5	419	--	130	137	495
--	90	55	280MB		22	140	500	450	550	18.5	5	457	110	560	550	446	255	122.5	419	--	130	137	495
110	--	--	315SA	2	25	140	600	550	660	24	6	508	115	615	660	527.5	336	163	406	--	210	210	620
--	110	75	315SB		25	170	600	550	660	24	6	508	115	615	660	527.5	336	163	406	--	210	210	620
132 (160)	--	--	315MA		25	140	600	550	660	24	6	508	115	615	660	527.5	336	163	457	--	240	240	670
--	132 (160)	90 (110)	315MB		25	170	600	550	660	24	6	508	115	615	660	527.5	336	163	457	--	240	240	670
160 200	--	--	315LA	3	25	140	600	550	660	24	6	508	130	630	660	527.5	336	163	508	--	230	230	770
--	160 200	110 132 (160)	315LB		25	170	600	550	660	24	6	508	130	630	660	527.5	336	163	508	--	230	230	770
250 315	--	--	315DA	4	30	140	600	550	660	24	6	508	150	650	682	590	412	189	900	--	180	250	1060
--	250 315	200 250	315DB		30	170	600	550	660	24	6	508	150	650	682	590	412	189	900	--	180	250	1060
250	--	--	355MA	5	30	140	740	680	800	24	6	610	150	750	810	645	412	189	--	560	330	330	910
--	250	200	355MB		30	170	740	680	800	24	6	610	150	750	810	645	412	189	--	560	330	330	910
315	--	--	355LA		30	140	740	680	800	24	6	610	150	750	810	645	412	189	630	--	330	330	910
--	315	250	355LB		30	170	740	680	800	24	6	610	150	750	810	645	412	189	630	--	330	330	910

- Note:** 1. Tolerance of shaft end diameter D: m6
 2. Tolerance of N: j6
 3. Tolerance of shaft center height H: +0, -1

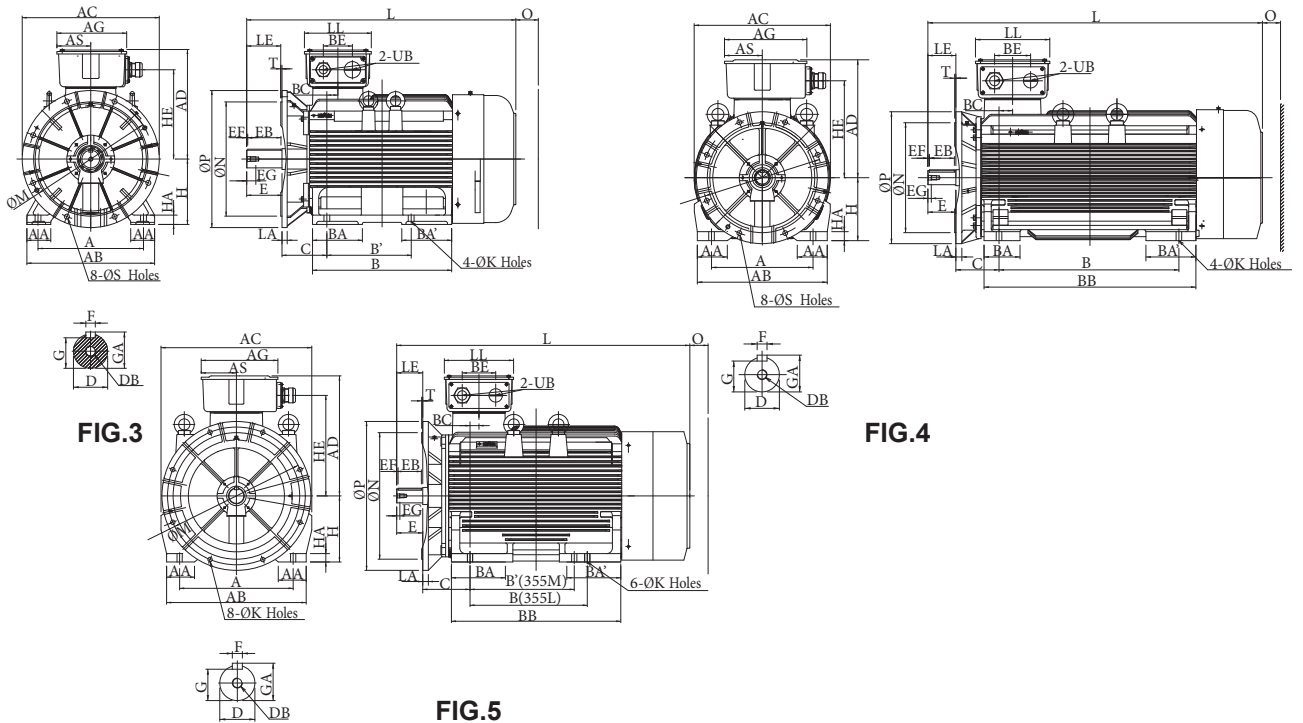


FIG.3

FIG.4

FIG.5

Dimension in mm

BC	BE	C	H	HA	HE	K	L	LL	O	UB	SHAFT EXTENSION								BEARING		
											D	E	EB	EF	EG	F	G	GA	DB	DRIVE END	OPPOSITE DRIVE END
48	119	190	280	35	367	24	1037.5	255	140	M63x1.5	65	140	125	7.5	40	18	58	69	M20	6316C3	6314C3
48	119	190	280	35	367	24	1037.5	255	140	M63x1.5	75	140	125	7.5	40	20	67.5	79.5	M20	6318C3	6316C3
48	119	190	280	35	367	24	1087.5	255	140	M63x1.5	65	140	125	7.5	40	18	58	69	M20	6316C3	6314C3
48	119	190	280	35	367	24	1087.5	255	140	M63x1.5	75	140	125	7.5	40	20	67.5	79.5	M20	6318C3	6316C3
53	140	216	315	35	430	28	1216	322	180	M63x1.5	65	140	125	7.5	40	18	58	69	M20	6316C3	6314C3
53	140	216	315	35	430	28	1246	322	180	M63x1.5	80	170	160	5	40	22	71	85	M20	6320C3	6316C3
53	140	216	315	35	430	28	1266	322	180	M63x1.5	65	140	125	7.5	40	18	58	69	M20	6316C3	6314C3
53	140	216	315	35	430	28	1296	322	180	M63x1.5	80	170	160	5	40	22	71	85	M20	6320C3	6316C3
53	140	216	315	45	430	28	1366	322	180	M63x1.5	65	140	125	7.5	40	18	58	69	M20	6316C3	6314C3
53	140	216	315	45	430	28	1396	322	180	M63x1.5	80	170	160	5	40	22	71	85	M20	6320C3	6316C3
68	180	216	315	45	485	28	1674	372	200	M72x2	75	140	125	7.5	40	20	67.5	79.5	M20	6316C3	6316C3
68	180	216	315	45	485	28	1704	372	200	M72x2	95	170	160	5	48	25	86	100	M24	6322C3	6322C3
48	180	254	355	45	540	28	1575	372	230	M72x2	75	140	125	7.5	40	20	67.5	79.5	M20	6318C3	6318C3
48	180	254	355	45	540	28	1605	372	230	M72x2	95	170	160	5	48	25	86	100	M24	6322C3	6322C3
48	180	254	355	45	540	28	1575	372	230	M72x2	75	140	125	7.5	40	20	67.5	79.5	M20	6318C3	6318C3
48	180	254	355	45	540	28	1605	372	230	M72x2	95	170	160	5	48	25	86	100	M24	6322C3	6322C3

Note: 4. Tolerance of Key Width F: h9
 5. Output in the Brackets for Optional Matching

BASIC SPECIFICATION-AESV3W, AESU3W

RATING	Kind of Motors	Squirrel - Cage Induction Motors (SCIM) .				
	Design Standards	IEC 60034-1, IEC 60072-1				
	Voltages	400V, 460V or others				
	Frequency	50Hz or 60Hz or other				
	Output Range	0.55 kW ~ 315 kW (50Hz)		0.55 kW ~ 335 kW (60Hz)		
	R.P.M. (Syn.)	3000 ~ 1000 R.P.M. (2 ~ 6 Poles) or 3600 ~ 1200 R.P.M. (2 ~ 6 Poles) .				
	Time Duty	Continuous. S1 , S.F. : 1.0 at 50Hz (S.F. : 1.15 at 60Hz) .				
	Frame Nos.	80M ~ 355L (50Hz)		80M ~ 315D (60Hz)		
	Protection Enclosure	Totally Enclosed (IP 55) (Do Not Add Finishing Varnish W188R) .				
	Cooling Method	Self External Fan, Surface Cooling (IC 411) .				
	Mounting	Horizontal Foot Mounted B3 (IM 1001) . Horizontal Flange Mounted B5 (IM 3001) . Horizontal Foot and Flange Mounted B35 (IM 2001) . Vertical Flange Mounted, Shaft Down V1 (IM 3011) .				
APPLICATION	Environment Conditions	Place : Shadow, Non-Hazardous. Ambient Temperature : -15 ~ 40°C . Relative Humidity : Less Than 90%RH (Non-Condensation) . Altitude : Less Than 1,000 Meters .				
	Power Source Conditions	Voltage : ±10%, Frequency : ±5%, and 10% Max. of Combined Voltage and Frequency. But Frequency Variation Does Not Exceed ±5% .				
	Method of Starting	Full Voltage Direct on Line or Y - Δ Starting .				
	Drive Method	Belt Service , However , 2 Pole 45 kW and Up Coupling Service is The Way .				
	Direction of Rotation	CW According to IEC Definition, Suitable for Bi - Directional Operation .				
CONSTRUCTION	Bearing	Bracket Mounting , Vacuum De - Gassed High Quality Open Bearings for Frame Nos. 250M ~ 355L, Grease Pre - Packed Shielded Rolling Bearings for The Others .				
	Lead Terminal	6 Leads, with Solderless Lug Terminals .				
	Terminal Box	Cast iron, With Terminal Board, Can be Rotated Each 90° With Conduit Hole for Cable Entrance . The Terminal Box is Usually Placed on The Top of The Frame and The Cables Could be Let Out from Four Possible Directions .				
	Stator Insulation	Class F Insulation System .				
	Painting	Phenolic Rust Proof Base Plus Lacquer Surface Finished Painting in Purple - Blue Color (Munsell 5PB 3/8) .				
	Bolt Thread	ISO Metric System . (Strength Category 4.6T, But F#280 and Above 8.8T) .				
PERFORMANCE	Bolt Thread	ISO Metric System . (Strength Category 4.6T, But F#280 and Above 8.8T) .				
	Test Procedure	IEC 60034-2-1:2007, ANSI / IEEE Standard 112 method B And Full Voltage Measuring Starting Performance .				
	Winding Temperature Rise	Not to Exceed 80°C Rise by Resistance Method at S.F 1.0 (50Hz) , 90°C Rise at S.F 1.15 (60Hz) .				
	Over Speed	120% Syn. R.P.M. for 2 Min .				
	Over Torque	160% Rated Torque for 15 Sec .				
	Vibration (r.m.s)	Vibration	Shaft height / mm	80 ≤ H ≤ 132	132 < H ≤ 280	H > 280
		grade	Mounting	Velocity mm/s	Velocity mm/s	Velocity mm/s
A		Free suspension	1.6	2.2	2.8	

ELECTRICAL CHARACTERISTICS - AESV3W, AESU3W

TEFC, CLASS F, 40°C AMBIENT TEMP., IEC ;GB DESIGN N CONTINUOUS DUTY, S.F. 1.0

400V/50HZ

OUTPUT		FULL LOAD rpm	FRAME NO.	EFFICIENCY			POWER FACTOR			CURRENT		TORQUE				ROTOR GD ² kg-m ²	NOISE SOUND POWER NO-LOAD dB(A)	APP. WEIGHT kg
kW	hp			FULL LOAD (%)	3/4 LOAD (%)	1/2 LOAD (%)	FULL LOAD (%)	3/4 LOAD (%)	1/2 LOAD (%)	FULL LOAD (A)	LOCKED ROTOR %FLT	FULL LOAD kg-m	LOCKED ROTOR %FLT	PULL UP %FLT	BREAK DOWN %FLT			
0.55	0.75	1430	80M	79.0	77.9	74.7	69.0	58.5	44.5	1.46	9	0.374	300	270	320	0.010	66	17.5
		905	80M	70.0	69.7	66.2	69.0	58.0	44.5	1.64	6	0.591	210	195	250	0.012	63	19.5
0.75	1	2875	80M	80.7	78.3	75.1	84.5	78.0	66.5	1.59	12	0.254	280	275	335	0.006	78	18.0
		1410	80M	82.5	81.8	79.7	73.5	64.0	50.0	1.79	11	0.518	315	290	335	0.013	66	20.5
		935	90S	78.9	80.6	79.4	71.0	62.5	49.0	1.93	9	0.780	210	190	250	0.022	63	28.0
1.1	1.5	2870	80M	82.7	83.0	81.3	85.0	78.5	66.5	2.26	18	0.373	300	295	350	0.007	78	19.5
		1430	90S	84.1	84.4	83.2	79.5	71.5	57.5	2.37	17	0.748	255	205	300	0.019	66	26.5
		930	90L	81.0	81.2	80.5	72.0	63.5	50.0	2.72	13	1.151	210	185	240	0.026	63	30.5
1.5	2	2850	90S	84.2	85.4	85.8	90.5	87.0	78.0	2.84	22	0.512	220	210	300	0.012	78	25.5
		1435	90L	85.3	84.1	82.2	75.0	65.5	51.5	3.38	26	1.017	300	235	335	0.023	66	28.5
		950	100L	82.5	82.9	81.5	72.5	65.0	52.0	3.62	18	1.536	210	175	250	0.058	64	43.5
2.2	3	2860	90L	85.9	86.7	86.8	89.5	85.0	75.5	4.13	35	0.748	245	235	315	0.014	78	29.0
		1450	100L	86.7	87.3	86.9	81.0	73.5	60.5	4.52	33	1.476	210	160	300	0.045	70	39.5
		960	112M	84.3	84.3	82.2	67.0	59.0	47.0	5.62	29	2.230	190	180	280	0.083	70	53.5
3	4	2855	100L	87.1	88.3	88.4	90.0	86.5	78.5	5.52	48	1.022	325	310	355	0.025	82	41.5
		1455	100L	87.7	87.7	86.2	78.0	70.5	57.5	6.33	49	2.006	250	240	335	0.052	70	42.0
		970	132S	85.6	86.1	85.1	79.5	73.0	60.0	6.36	41	3.009	195	170	300	0.154	73	75.0
4	5.5	2875	112M	88.1	89.0	88.9	91.0	87.5	80.0	7.20	69	1.354	270	250	360	0.046	83	51.5
		1445	112M	88.6	88.4	87.9	82.0	76.5	65.5	7.95	57	2.693	245	205	300	0.083	72	53.0
		970	132M	86.8	87.2	86.3	79.5	72.5	60.0	8.37	57	4.012	200	185	310	0.205	73	91.5
5.5	7.5	2930	132S	89.2	89.8	89.5	88.5	86.0	79.5	10.1	80	1.826	210	205	340	0.075	85	73.0
		1455	132S	89.6	90.4	90.3	85.0	80.5	70.0	10.4	77	3.678	240	200	300	0.132	75	75.5
		970	132M	88.0	88.0	86.2	73.5	65.5	52.0	12.3	88	5.517	210	205	345	0.216	73	91.0
7.5	10	2920	132S	90.1	90.9	90.8	87.0	84.5	77.5	13.8	100	2.499	210	195	315	0.081	85	76.0
		1460	132M	90.4	90.8	90.4	84.5	79.5	69.0	14.2	110	4.998	270	225	330	0.172	75	93.0
		970	160M	89.1	90.0	89.0	79.0	73.0	61.0	15.4	110	7.523	235	210	300	0.483	73	135
11	15	2935	160M	91.2	92.0	92.0	90.0	89.0	83.5	19.3	150	3.647	230	185	300	0.183	87	130
		1460	160M	91.4	92.0	91.5	84.0	80.0	70.0	20.7	160	7.331	230	185	300	0.366	77	130
		970	160L	90.3	91.0	90.5	78.0	72.0	60.5	22.5	170	11.03	295	255	300	0.628	73	150
15	20	2935	160M	91.9	92.0	92.0	89.0	85.5	77.5	26.5	230	4.973	275	230	330	0.205	87	130
		1460	160L	92.1	92.5	92.5	84.5	81.0	71.0	27.8	225	9.997	250	195	300	0.460	77	150
		970	180L	91.2	92.0	92.0	82.0	78.0	68.0	29.0	200	15.05	215	165	255	1.337	77	205
18.5	25	2930	160L	92.4	93.0	93.0	90.0	89.5	84.0	32.1	260	6.144	245	200	300	0.237	87	140
		1475	180M	92.6	94.0	93.0	81.5	77.0	69.5	35.4	270	12.20	215	160	280	0.704	80	195
		975	200L	91.7	92.5	92.5	80.5	76.0	66.5	36.2	260	18.46	220	185	265	1.829	80	270
22	30	2940	180M	92.7	92.7	92.5	87.0	85.0	77.0	39.4	300	7.281	225	180	300	0.283	88	180
		1475	180L	93.0	93.5	93.0	81.0	77.0	71.0	42.2	315	14.51	210	145	275	0.789	80	205
		975	200L	92.2	93.0	93.5	81.5	77.0	68.0	42.3	305	21.95	210	185	265	2.078	80	290

ELECTRICAL CHARACTERISTICS - AESV3W, AESU3W

TEFC, CLASS F, 40°C AMBIENT TEMP., IEC ;GB DESIGN N CONTINUOUS DUTY, S.F. 1.0

400V/50HZ

OUTPUT		FULL LOAD rpm	FRAME NO.	EFFICIENCY			POWER FACTOR			CURRENT		TORQUE				ROTOR GD ² kg-m ²	NOISE SOUND POWER NO-LOAD dB(A)	APP. WEIGHT kg
kW	hp			FULL LOAD (%)	3/4 LOAD (%)	1/2 LOAD (%)	FULL LOAD (%)	3/4 LOAD (%)	1/2 LOAD (%)	FULL LOAD (A)	LOCKED ROTOR %FLT	FULL LOAD kg-m	LOCKED ROTOR %FLT	PULL UP %FLT	BREAK DOWN %FLT			
30	40	2950	200L	93.3	93.5	92.5	90.0	90.0	86.5	51.6	400	9.895	200	145	300	0.602	90	265
		1470	200L	93.6	94.5	94.5	86.0	84.5	77.0	53.8	445	19.86	250	205	300	1.451	83	285
		980	225M	92.9	93.5	93.5	83.5	80.0	76.5	55.8	335	29.79	210	160	240	3.023	80	385
37	50	2955	200L	93.7	94.5	94.0	91.0	90.5	87.0	62.6	510	12.18	210	145	300	0.753	90	300
		1480	225S	93.9	94.5	94.0	85.5	82.0	73.0	66.5	505	24.33	210	175	300	1.896	84	350
		980	250M	93.3	94.0	94.0	85.0	81.5	75.0	67.3	490	36.74	230	200	280	4.194	82	460
45	60	2960	225M	94.0	94.0	93.5	91.0	91.0	88.0	75.9	615	14.79	170	140	300	1.187	92	340
		1480	225M	94.2	94.5	94.0	84.5	79.5	70.0	81.6	600	29.58	210	175	300	1.979	84	360
		980	280S	93.7	93.7	93.0	85.0	82.0	73.5	81.6	530	44.75	180	160	280	6.400	85	600
55	75	2970	250M	94.3	94.5	94.0	91.5	90.0	86.5	92.0	735	18.02	165	130	315	1.544	92	465
		1485	250M	94.6	94.6	94.0	87.5	84.5	77.0	95.9	750	36.04	210	185	295	3.911	85	480
		980	280M	94.1	94.0	93.5	84.5	81.0	71.0	99.8	689	54.69	190	160	270	7.600	85	660
75	100	2965	280S	94.7	94.5	93.0	89.0	87.0	80.0	128	962	24.6	190	160	270	2.000	94	585
		1480	280S	95.0	95.0	94.2	87.5	84.5	77.0	130	910	49.4	190	160	270	5.200	88	620
		985	315S	94.6	94.5	93.7	84.5	81.5	73.0	135	900	74.2	160	135	240	11.20	89	900
90	125	2970	280M	95.0	95.0	94.4	89.5	87.0	80.0	153	1200	29.5	200	170	280	2.400	94	615
		1480	280M	95.2	95.2	94.8	88.5	87.0	81.0	154	1100	59.3	190	160	270	6.400	88	690
		985	315M	94.9	94.9	94.2	84.5	81.5	73.0	162	1040	89.0	160	130	250	13.60	89	960
110	150	2970	315S	95.2	95.0	94.3	90.0	89.0	84.0	185	1430	36.1	180	150	270	4.000	98	860
		1482	315S	95.4	95.2	94.8	88.0	85.5	77.5	189	1375	72.3	180	150	280	8.80	94	960
		985	315L	95.1	95.1	94.6	84.5	82.0	73.0	198	1364	108.8	200	170	260	18.80	89	1,160
132	175	2970	315M	95.4	95.2	94.8	91.0	90.5	88.0	219	1591	43.3	180	135	240	5.200	98	980
		1480	315M	95.6	95.5	94.8	88.0	86.0	78.0	226	1627	86.9	200	170	270	10.00	94	1,000
		985	315L	95.4	95.4	95.0	84.5	81.0	72.0	236	1560	130.6	200	170	260	18.00	89	1,200
160	215	2970	315L	95.6	95.2	94.5	91.0	90.0	89.0	265	2060	52.5	200	170	250	6.400	98	1,075
		1485	315L	95.8	95.6	95.0	88.5	87.0	80.0	272	2150	105.0	190	160	280	11.60	94	1,090
		985	355M	95.6	95.5	95.0	86.0	84.5	76.0	281	2020	158.3	160	140	270	38.40	94	1,870
200	270	2970	315L	95.8	95.6	94.6	91.5	91.0	90.0	329	2550	65.6	200	170	260	7.600	98	1,260
		1485	315L	96.0	95.8	95.0	87.0	84.0	76.0	346	2635	131.2	160	140	260	14.80	94	1,300
		985	355M	95.8	95.5	94.6	85.0	83.0	77.5	355	2450	197.9	150	125	250	40.40	94	2,100
250	335	2975	355M	95.8	95.6	94.6	91.0	90.0	86.0	414	2950	81.9	140	115	270	11.60	89	1,800
		1485	355M	96.0	95.8	95.0	89.0	88.0	84.5	422	2900	164.1	140	115	260	27.20	95	1,925
		985	355L	95.8	95.6	94.8	85.5	83.0	73.0	441	3271	247.3	180	150	280	46.00	94	2,090
315	420	2975	355L	95.8	95.6	94.7	91.5	91.0	89.0	519	3600	103.2	140	115	280	16.00	100	2,140
		1485	355L	96.0	96.0	95.4	89.0	88.0	84.5	532	3870	206.7	150	130	260	34.00	95	2,160

- NOTE:**
1. The above are typical values based on test according to IEC 60034-2-1:2007.
 2. Tolerance according to IEC 60034-1.
 3. Breakdown & Locked rotor torques are show as average expected voltages.
 4. Efficiency, power factor, speed and torque are the same for other voltages. Current values vary inversely with voltage.
 5. 0.55 kW and below : Efficiency per TECO performance standard (Not IE3).
 6. Noise : sound power level at no - load, dB(A), Tolerance + 3 dB(A)
 7. Data subject to change without notice.

ELECTRICAL CHARACTERISTICS - AESV3W, AESU3W

TEFC, CLASS F, 40°C AMBIENT TEMP., IEC ;GB DESIGN N CONTINUOUS DUTY, S.F. 1.15

460V/60HZ

OUTPUT		FULL LOAD rpm	FRAME NO.	EFFICIENCY				POWER FACTOR				CURRENT		TORQUE				ROTOR GD ² kg-m ²
hp	kW			FULL LOAD (%)	3/4 LOAD (%)	1/2 LOAD (%)	1/4 LOAD (%)	FULL LOAD (%)	3/4 LOAD (%)	2/4 LOAD (%)	1/4 LOAD (%)	FULL LOAD (A)	LOCKED ROTOR (A)	FULL LOAD N·m	LOCKED ROTOR %FLT	PULL UP %FLT	BREAK DOWN %FLT	
0.75	0.55	1735	80M	80.0	79.0	75.2	62.9	69.5	60.0	46.5	29.5	1.24	9	3.027	330	300	365	0.010
		1120	80M	77.0	77.7	74.9	62.9	64.0	54.0	41.5	25.5	1.40	6	4.690	235	230	240	0.012
1	0.75	3490	80M	77.0	75.6	71.5	60.3	84.0	77.5	66.0	47.5	1.46	12	2.052	310	300	390	0.006
		1730	80M	85.5	85.0	82.4	74.2	74.5	65.5	52.0	30.0	1.48	11	4.140	345	340	385	0.013
		1140	90S	82.5	83.4	81.9	71.6	70.0	61.5	48.0	30.0	1.63	9	6.283	205	175	235	0.022
1.5	1.1	3485	80M	84.0	83.9	81.4	73.6	85.0	78.5	66.5	45.5	1.93	17	3.014	340	325	385	0.007
		1735	90S	86.5	87.3	86.3	80.0	81.0	74.0	61.5	39.0	1.97	15	6.055	250	200	315	0.019
		1175	112M(*)	87.5	86.8	83.9	75.8	64.0	56.0	44.0	27.5	2.47	17	8.940	210	190	350	0.053
2	1.5	3460	90S	85.5	86.5	86.0	80.6	89.5	85.5	76.5	56.0	2.46	21	4.140	240	225	300	0.012
		1740	90L	86.5	86.2	84.1	76.5	75.0	66.5	52.5	33.0	2.90	23	8.233	295	225	345	0.023
		1165	112M(*)	88.5	88.5	87.1	80.6	69.0	62.0	50.5	32.0	3.08	18	12.30	170	150	270	0.071
3	2.2	3745	90L	86.5	87.2	86.7	81.5	89.0	84.5	75.0	55.0	3.59	34	5.610	270	255	330	0.014
		1760	100L	89.5	89.4	88.5	82.2	83.5	78.0	66.0	42.0	3.69	33	11.94	210	205	330	0.045
		1170	112M	89.5	89.1	87.3	80.3	67.5	60.0	48.0	29.5	4.09	35	17.96	170	165	290	0.084
4	3	3505	100L	88.5	89.0	89.0	84.2	88.0	83.5	74.0	53.0	4.83	43	8.174	230	225	380	0.025
		1760	100L	89.5	89.0	87.4	80.4	78.5	71.5	59.0	38.0	5.36	46	16.28	240	235	360	0.052
		1170	132S	89.5	88.7	86.6	78.8	78.5	71.5	59.0	37.5	5.36	39	24.49	195	190	315	0.137
5.5	4	3490	112M	88.5	89.0	88.5	84.3	91.0	88.0	80.5	61.0	6.23	62	10.95	265	260	335	0.046
		1750	112M	89.5	89.9	89.1	84.0	81.5	76.5	65.5	44.0	6.88	53	21.83	230	180	295	0.083
		1170	132M	89.5	89.4	87.7	80.7	79.5	73.0	61.0	39.5	7.06	52	32.65	190	185	305	0.182
7.5	5.5	3535	132S	89.5	88.7	86.6	78.7	86.5	83.5	76.0	58.0	8.92	75	14.86	215	210	310	0.066
		1755	132S	91.7	92.1	91.8	87.7	85.0	80.5	71.0	48.5	8.86	71	29.93	260	220	330	0.132
		1175	132M	91.0	90.3	88.3	82.1	74.5	65.0	51.0	31.0	10.2	76	44.70	205	190	350	0.216
10	7.5	3525	132S	90.2	90.6	89.9	85.8	87.5	85.0	78.5	60.5	11.9	89	20.32	200	195	285	0.081
		1755	132M	91.7	92.3	92.1	88.7	85.5	81.5	72.5	50.0	12.0	91	40.81	255	220	310	0.152
		1170	160M	91.0	91.2	90.3	84.9	81.5	77.0	67.0	44.5	12.7	106	61.22	300	240	320	0.483
15	11	3530	160M	91.0	91.0	90.2	84.1	92.5	91.0	87.5	72.5	16.4	130	29.76	255	195	300	0.154
		1770	160M	92.4	92.7	92.1	88.2	87.0	83.0	73.5	51.0	17.2	132	59.35	240	175	290	0.366
		1165	160L	91.7	91.8	90.9	85.8	81.5	77.0	67.5	45.0	18.5	153	90.17	300	240	305	0.628
20	15	3550	160M	91.0	91.1	90.1	84.4	92.5	90.5	86.0	71.5	22.4	206	40.35	245	220	330	0.205
		1770	160L	93.0	93.1	92.6	88.8	86.5	82.0	72.5	51.0	23.4	186	80.93	265	195	310	0.460
		1170	180L	91.7	92.4	92.6	89.7	83.0	79.5	71.5	49.5	24.7	180	122.4	245	215	270	1.337
25	18.5	3550	160L	91.7	92.0	91.3	86.5	93.0	91.5	87.5	73.5	27.2	251	49.77	250	225	320	0.256
		1770	180M	93.6	94.0	93.5	90.1	82.5	79.0	70.0	49.0	30.1	231	99.82	220	180	250	0.704
		1175	200L	93.0	93.2	93.1	89.7	82.0	78.5	70.0	48.0	30.4	215	150.4	245	215	255	1.829
30	22	3545	180M	91.7	91.7	90.9	86.4	90.0	88.0	83.5	66.5	32.0	274	59.27	270	210	330	0.283
		1775	180L	93.6	93.8	93.4	90.1	84.0	81.0	73.5	53.0	33.6	272	118.4	225	180	245	0.789
		1175	200L	93.0	93.5	93.3	90.4	82.0	78.5	70.5	49.0	34.6	280	178.8	230	215	240	2.078

ELECTRICAL CHARACTERISTICS - AESV3W, AESU3W

TEFC, CLASS F, 40 AMBIENT TEMP., IEC ;GB DESIGN N CONTINUOUS DUTY, S.F. 1.15

460V/60HZ

OUTPUT		FULL LOAD rpm	FRAME NO.	EFFICIENCY				POWER FACTOR				CURRENT		TORQUE				ROTOR GD ² kg-m ²
hp	kW			FULL LOAD (%)	3/4 LOAD (%)	2/4 LOAD (%)	1/4 LOAD (%)	FULL LOAD (%)	3/4 LOAD (%)	2/4 LOAD (%)	1/4 LOAD (%)	FULL LOAD (A)	LOCKED ROTOR (A)	FULL LOAD N·m	LOCKED ROTOR %FLT	PULL UP %FLT	BREAK DOWN %FLT	
40	30	3545	200L	92.4	92.4	91.6	86.3	91.0	90.5	88.0	75.5	42.8	350	80.82	210	150	270	0.602
		1775	200L	94.1	94.4	94.4	91.1	89.5	87.5	82.0	63.0	42.8	359	161.4	200	190	265	1.451
		1180	225M	94.1	94.4	94.1	91.4	86.5	85.0	78.0	59.0	44.2	297	242.8	205	160	210	3.023
50	37	3550	200L	93.0	93.1	92.6	88.1	91.0	91.5	91.0	80.0	52.5	447	99.54	200	155	275	0.753
		1775	225S	94.5	94.5	93.8	89.9	86.5	83.5	76.0	54.5	54.3	447	199.1	200	180	250	1.896
		1185	250M	94.1	94.1	93.7	90.5	88.0	86.0	79.5	59.5	53.6	437	298.2	230	155	250	4.194
60	45	3570	225M	93.6	93.4	92.3	87.2	93.5	93.0	90.5	78.5	61.7	494	120.4	170	140	300	1.187
		1775	225M	95.0	94.9	94.3	91.0	86.5	83.5	76.5	54.5	65.7	490	242.1	215	195	235	1.979
		1185	280S	94.5	94.5	93.5	90.0	85.5	81.5	72.0	50.0	69.5	519	360.7	190	160	280	6.400
75	55	3565	250M	93.6	93.8	93.3	90.4	93.0	92.0	89.0	76.5	75.9	693	147.3	200	160	295	1.544
		1785	250M	95.4	95.2	94.3	90.5	88.0	85.5	78.0	58.0	78.7	668	294.3	230	205	275	3.911
		1185	280M	94.5	94.5	94.0	91.0	84.5	80.5	71.0	50.0	87.9	680	450.9	220	190	280	7.600
100	75	3570	280S	94.1	94.4	93.2	89.2	89.5	86.5	79.0	58.0	111	955	199.6	200	170	280	2.000
		1785	280S	95.4	95.0	94.0	91.0	87.5	85.5	78.0	56.0	112	885	399.1	180	150	280	5.200
		1188	315S	95.0	95.0	94.5	92.0	84.0	80.0	70.0	47.0	117	860	599.7	180	150	270	11.20
125	90	3570	280M	95.0	94.7	94.0	90.0	89.5	86.5	80.0	57.0	138	1195	249.5	200	170	280	2.400
		1785	280M	95.4	95.4	95.0	93.0	88.5	87.5	80.5	60.0	139	1100	498.9	200	170	280	6.400
		1188	315M	95.0	95.0	94.3	91.5	84.5	81.5	72.0	50.0	146	1030	749.6	160	135	270	13.60
150	110	3572	315S	95.0	94.4	92.5	87.5	91.0	89.5	84.0	65.0	162	1350	299.2	145	120	280	4.000
		1785	315S	95.8	95.4	94.5	91.0	88.0	86.0	80.0	59.0	167	1500	598.7	200	170	280	8.800
		1188	315M	95.8	95.8	95.4	93.0	84.5	81.5	72.0	49.0	173	1290	899.5	180	150	250	16.40
200	150	3575	315M	95.4	95.0	94.0	90.0	92.0	91.0	88.0	75.0	213	1735	398.6	150	125	280	5.800
		1785	315M	96.2	95.8	95.2	93.0	88.5	86.5	81.0	60.0	220	2000	798.2	200	170	280	10.40
		1188	315L	95.8	95.6	95.2	93.2	86.5	84.5	77.0	56.0	226	1650	1199	200	170	250	22.00
250	185	3575	315L	95.8	95.4	94.5	91.5	92.5	91.5	89.5	78.5	264	2180	498.2	160	135	280	6.200
		1785	315L	96.2	95.9	95.3	93.5	89.0	87.5	81.5	61.5	273	2400	998	200	170	280	12.40
		1190	315D	95.8	95.6	95.2	93.5	86.5	84.5	78.0	58.0	282	2150	1497	200	170	250	34.80
300	224	3575	315L	95.8	95.4	94.5	91.5	92.5	91.5	89.5	78.5	317	2580	597.8	160	135	280	7.40
		1785	315L	96.2	96.0	95.4	93.6	89.5	88.0	83.5	64.0	326	2760	1197	200	170	280	13.60
		1190	315D	95.8	95.6	95.2	94.0	87.0	84.5	77.5	58.5	337	2580	1796	200	170	250	40.40
350	261	3575	315D	95.8	95.4	94.3	90.5	92.0	91.0	87.0	72.0	372	2800	697.5	140	120	280	12.40
		1785	315D	96.2	96.0	95.4	93.0	90.0	88.5	83.5	64.0	379	2800	1397	150	125	280	27.20
		1190	315D	95.8	95.6	95.2	94.0	87.0	85.5	79.0	60.0	393	2850	2095	200	170	250	44.80
400	298	3575	315D	95.8	95.4	94.3	90.5	92.0	91.0	88.0	72.0	425	3350	797.1	155	130	280	14.40
		1785	315D	96.2	96.0	95.4	93.0	90.5	89.0	84.0	65.0	430	3320	1596	160	135	280	31.20
450	335	3575	315D	95.8	95.4	94.5	91.0	92.5	91.5	88.5	72.5	475	3750	896.8	160	135	280	16.00
		1785	315D	96.2	96.0	95.0	93.0	90.5	89.0	84.0	65.0	484	3800	1796	160	135	280	34.00

- NOTE:**
1. The above are typical values based on test accord to ANSI / IEEE standard 112 method B.
 2. Tolerance according to NEMA MG1-12& IEC 60034-1.
 3. Breakdown & Locked rotor torques are show as average expected voltages.
 4. Efficiency, power factor, speed and torque are the same for other voltages. Current values vary inversely with voltage.
 5. 0.55 kW and below : Efficiency per TECO performance standard.
 6. (*)6p 1.1 \ 1.5KW Frame size assignment per TECO performance standard.
 7. F#315D : only suitable for IM B3 and IM B35
 8. Data subject to change without notice.

SPECIFICATION REQUIREMENTS

I. BASIC REQUIREMENT	
OUTPUT	_____HP _____KW
POLE	<input type="checkbox"/> 2P <input type="checkbox"/> 4P <input type="checkbox"/> 6P <input type="checkbox"/> 8P <input type="checkbox"/> OTHER_____P
FREQUENCY	<input type="checkbox"/> 50Hz <input type="checkbox"/> 60Hz <input type="checkbox"/> OTHER_____Hz
VOLTAGE	_____VOLTS
STANDARD	<input type="checkbox"/> IEC <input type="checkbox"/> NEMA <input type="checkbox"/> GB <input type="checkbox"/> TECO STD <input type="checkbox"/> OTHER_____
EFFICIENCY	<input type="checkbox"/> IE1 <input type="checkbox"/> IE2 <input type="checkbox"/> IE3 <input type="checkbox"/> GB3 <input type="checkbox"/> GB2 <input type="checkbox"/> GB1 <input type="checkbox"/> MEPS <input type="checkbox"/> NEMA-PREMIUM <input type="checkbox"/> OTHER_____
INSULATION	<input type="checkbox"/> F <input type="checkbox"/> H <input type="checkbox"/> OTHER_____
TEMP. RISE	<input type="checkbox"/> B(80K) <input type="checkbox"/> F(105K) <input type="checkbox"/> OTHER_____
S.F.	<input type="checkbox"/> 1.0 <input type="checkbox"/> 1.1 <input type="checkbox"/> 1.15 <input type="checkbox"/> OTHER_____
ENCLOSURE & PROTECTION	IP_____ <input type="checkbox"/> TEFC <input type="checkbox"/> ODP <input type="checkbox"/> OTHER_____
MOUNTING TYPE	<input type="checkbox"/> HORIZONTAL <input type="checkbox"/> VERTICAL <input type="checkbox"/> FOOT <input type="checkbox"/> FLANGE <input type="checkbox"/> OTHER_____
COOLING METHOD	<input type="checkbox"/> IC410 <input type="checkbox"/> IC411 <input type="checkbox"/> IC416 <input type="checkbox"/> IC01 <input type="checkbox"/> OTHER_____
STARTING METHOD	<input type="checkbox"/> DOL <input type="checkbox"/> VFD <input type="checkbox"/> λ - Δ
DRIVE METHOD	<input type="checkbox"/> DIRECT <input type="checkbox"/> BELT <input type="checkbox"/> OTHER_____
II. ENVIRONMENT REQUIREMENT	
ENVIRONMENT	<input type="checkbox"/> INDOOR <input type="checkbox"/> OUTDOOR <input type="checkbox"/> COVER <input type="checkbox"/> CORROSION
AMBIENT TEMP.	<input type="checkbox"/> STD(-15°C ~40°C) <input type="checkbox"/> OTHER_____°C
ALTITUDE	<input type="checkbox"/> 1000m ↓ <input type="checkbox"/> OTHER_____
HUMIDITY	<input type="checkbox"/> 90%RH ↓ <input type="checkbox"/> OTHER_____
LOAD	<input type="checkbox"/> FAN(BLOWER) <input type="checkbox"/> PUMP <input type="checkbox"/> COMPRESSOR <input type="checkbox"/> OTHER_____ <input type="checkbox"/> OTHER_____
III. OTHER REQUIREMENT	

HEAD OFFICE

TECO Electric & Machinery Co., Ltd
10F No.3-1, Yuan Cyu st.
Nan-kang Taipei 115
Taiwan ROC
TEL: +886 2 6615 9111
www.teco.com.tw/fa

UNITED STATES

TECO-Westinghouse Motor Company
5100 N IH-35
Round Rock Texas 78681 USA
Tel: +1 512 225 4141
+1 800 451 8798
Fax: +1 512 244 5512
Toll Free: +1 800 451 8798
www.tecowestinghouse.com

CANADA

TECO-Westinghouse Motors Inc. (Canada)
18060-109 Avenue, Edmonton, Alberta
T5S 2K2 Canada
Tel: +1 (780) 444 8933
Fax: +1 (780) 486 4575
24 HR Emergency ph:
+1 (780) 994 8964
Toll Free: +1 800 661 4023
Fax Toll Free: +1 888 USE TMMI
E-mail: webm@twmi.com
www.twmi.com

MEXICO

TECO Westinghouse Motor Company
S.A. de C.V.
Circuito Mexiamora Poniente No. 321
Col. Puerto Interior,
Parque Santa Fe CP 36275
Silao, Guanajuato., México
Tel: +52 (472) 748 9016 al 20
E-mail: ventas@tecowestinghouse.com

NETHERLANDS

Teco Electric & Machinery B.V.
Rivium 3e Straat 17
2909 LH Capelle a/d IJssel
The Netherlands
Tel: +31 (0)10 266 6633
Fax: +31 (0) 10 202 6415
E-mail: enquiries@teco-group.eu
www.teco-group.eu

UNITED KINGDOM

TECO ELECTRIC EUROPE LTD
7 Dakota Avenue, Salford M50 2PU
United Kingdom
Tel: +44 161 877 8025
Fax: +44 161 877 8030
www.teco-group.eu

MIDDLE EAST

Teco Middle East Electric & Machinery Co., Ltd.
2nd Industrial City, Dammam
PO Box #708, Dammam 31421
Kingdom of Saudi Arabia
Tel: +966 3 812 3939
Fax: +966 3 812 4823
Email: sales@teco-me.com

SAUDI ARABIA

Al Quraishi Electrical Services of S.A.
Al Quraishi Center, King Khalid Street,
P.O.Box 7386, Dammam-31462
Tel: +966 3 857-2537
Fax: +966 3 857-2541
Email : dannya@aqesa.com
www.aqesa.com

IRAN, AZERBAIJAN & ARMENIA

ATLAS DIBA Engineering & Trade Co.
No.3, Fakouri St., South Kadj Ave.
Golha Sq., Fatemi, Tehran, Iran
Tel: +98 21 88 33 03 81-3
Fax: +98 21 88 33 03 84
Email : info@atlasdibaco.com
www.atlasdibaco.com

EGYPT

Amosl & Co.
38 Mossadak Street Dokki, Giza, Egypt
Tel: +202 333 79 744
Fax: +202 376 20 307

TUNISIA and ALGERIA

AFRICA COMPANY
Route de Tunis km 1,
rue Hassan hosni Abdelwaheb - Imm Dammak,
Mezzanine Sfax 3002 - Tunisia
Tel: +216-74436585, +216-74436585
Fax: +216-74436587

TURKEY

TECO Elektrik Turkey A.S.
Yesilkoy Mah. Ataturk Caddesi No:12/1
EGS Business Park; B1 Blok 3. Kat; Daire No: 173-174
34149 - Bakirkoy/ Istanbul TURKEY
Phone: +90 212 465 4540
Fax: +90 212 465 4599
Mobile: +90 553 461 4848

SOUTH AFRICA

TECO Electric & Machinery Co. Ltd
E-mail: manish@teco.com.tw

AUSTRALIA

Teco Australia Pty Ltd.
335-337 Woodpark Road
Smithfield NSW 2164 Australia
Tel: +61 2 9765 8118
Fax: 61-2-9604-9330
E-mail: emd@teco.com.au
www.teco.com.au

NEW ZEALAND

Teco New Zealand Pty Ltd.
Unit 3, 477 Great South Road
Penrose Auckland New Zealand
Tel: +64 9 526 8480
Fax: 64 9-526-8484
E-mail: philir@teco.co.nz

JAPAN

Sankyo Co., Ltd.
26th fl. World Trading Center Bidg.
2-4-1 Hamamatsucho Minato-ku
Tokyo Japan 105-6126
Tel: +81 3 3435 9729
Fax: +81 3 3578 8381
E-mail: s.mabuchi@teco-japan.com
Website: www.teco-japan.com

SINGAPORE

Teco Electric & Machinery(PTE)Ltd.
18 chin Bee Drive
Singapore 619865
Tel: +65 6 265 4622
E-mail: ds@teco.com.sg
www.teco.com.sg

INDONESIA

P.T. Teco Multiguna Elektro
JL Bandengan Utara No. 83/1-2-3
Jakarta Utara-14440 Indonesia
Tel: +62 21 662 2201
Fax: 62-21-6697029

INDIA

TECO Electric & Machinery Co., Ltd.
New Delhi Office
Phone: 91-11-22314654
Mobile: 91-9873390999
Contact: Vijay Sankar
E-mail: vijay@teco.com.sg

CHINA

Shanghai Office
Rm 321 Building No.6
Lane 1279 Zhongshan W. Rd.
Shanghai, P.R.C
Tel: +86 21 5116 8255
Fax: +86 21 6278 8761

Wuxi Teco Electric & Machinery Co., Ltd
No. 9 South of Changjiang Road,
New Zone, Wuxi
Jiangsu Province, P.R.C.
Tel: +86 510 8534 2005
Fax: +86 510 8534 2001
www.wuxiteco.com

Jiangxi Teco Electric & Machinery Co., Ltd
189 Dongyuan Rd. Hi-Tech Zone, Nanchang
Jiangxi Province, P.R.C.
Tel: +86 791 819 5999
Fax: +86 791 816 7730

SUZHOU TECO Electric & Machinery Co., Ltd
No.1 Changjiang W.Rd.
South-Dam Industrial Park,
Liuhe Town, Taicang City,
Suzhou, Jiangsu Province, P.R.C.
Tel: +86 512 5361 9901
Fax: +86 512 5396 1058

FUJIAN TECO PRECISION CO.,LTD
Xiayang, Jizhao, Zhanggang village,
Saiqi Economical & Development Zone,
Fuan, Fujian, P.R.C.
TEL: +86 593 633 0300
FAX: +86 593 633 0303

HONG KONG

Tecoson Industrial Development
(HK) Co., Ltd
Rm 3712 Hong Kong Plaza
186-191 Connaught Rd. West
Hong Kong
Tel: +852 2858 3220
E-mail: techokg@netvigator.com

MALAYSIA

Plo 52, Jalan Firma 2/1,
Kawasan Perindustrian Tebrau 1,
81100 Johor Bahru, Johor, Malaysia
Tel: (60) 7-3518862 / (60) 7-3548008
Fax: (60) 7-3546107
E-mail: sales@teco.com.my

THAILAND

Teco Electric & Machinery
(Thai) Co., Ltd.
128/1 Soi Watsrivarenoi
Moo 7 Bangna-Trad Road Km 18
Bangchalong Bangplee
Samuthprakarn 10540 Thailand
Tel: +662-3371311-20
Fax: +662-337-1630-1

VIETNAM

Teco (Vietnam) Electric & Machinery Co.,Ltd.
KON LONG Thanh,Huyen Long Thanh
Tinh Dong Nai, Vietnam
Tel: +84 61 3514151
Fax: +84 61 351 4110

PHILIPPINES

Taian(Subic) Electric, Inc.
Phase 1 Industrial Park Argonaut Highway corner
Braveheart St Subic Bay Freeport Zone -2222-
Philippines
Tel: +63-47-252-1668/252-1669
Fax:+63-47-252-3234
E-mail: ericlin@taiansubic.com
http://taiansubic.com/

Trade One, Incorporated
No. 56 Aragon Street San Francisco
Del Monte 1100 Quezon City Metro Manila,
Philippines
Tel: (632) 371-3032
Fax: (632) 371-1175
www.tradeoneinc.com